



Short circuit proof PCB transformer,
safety isolating transformer

DATA SHEET

VB 1,5/1/24

Type number

| | |
|--------------|-------------|
| Order number | VB 1,5/1/24 |
| Series | VB |
| Core size | EI 30/12,5 |

Technical data

| Tapping | Voltage [V] | Current [A] | Fuse |
|----------|-------------|-------------|------|
| Input 1 | 230 | | |
| Output 1 | 24 | 0.063 | |

General

| | | | |
|-----------------|----------------|----------------|--------|
| Power | 1.5 VA | Duty Cycle | 100 % |
| Phases | 1 | No-Load Losses | 0.9 W |
| Frequency range | 50 up to 60 Hz | Wire material | Copper |

Operating conditions

General

| | | | |
|---------------------|--------------------------------|-----------------|-----|
| Short circuit proof | inherently short-circuit proof | Switching group | li0 |
| Cooling type | AN | | |

| | |
|-------------|-------------|
| Cited date | 19.12.2024 |
| Part number | VB 1,5/1/24 |
| Page | 1 |

BLOCK Transformatoren-Elektronik GmbH
Max-Planck-Straße 36-46
27283 Verden, Germany
Phone: +49 4231 678-0
www.block.eu

BLOCK 
perfecting power

Environment

| | | | |
|--------------------------|----------------------------------|-----------------------|-----------------|
| Max. installation height | 2,000 m | Transport temperature | -20 up to 85 °C |
| Ambient temperature | -20 up to 70 °C (UL: max. 40 °C) | EN Insulation class | B (130°C) |
| Storage temperature | -20 up to 85 °C | UL Insulation class | class 105 |

Protection & Safety

| | | | |
|-----------------------------|-------|-------------------------|-----|
| Protection type | IP 00 | Degree of contamination | 1 |
| Protection class (prepared) | II | Overvoltage category | III |

Mechanical data

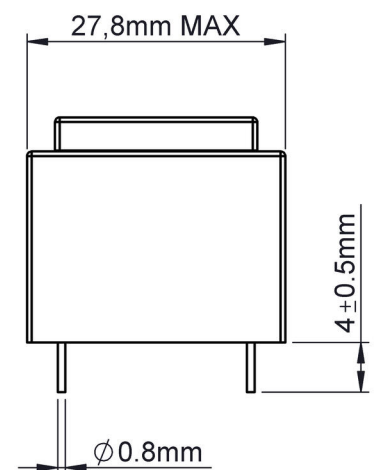
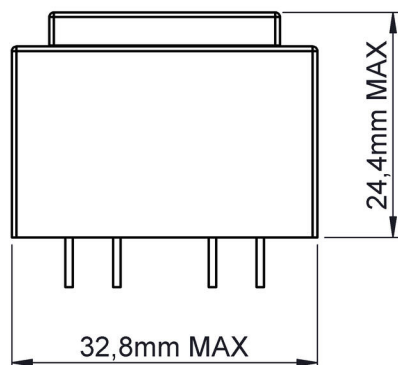
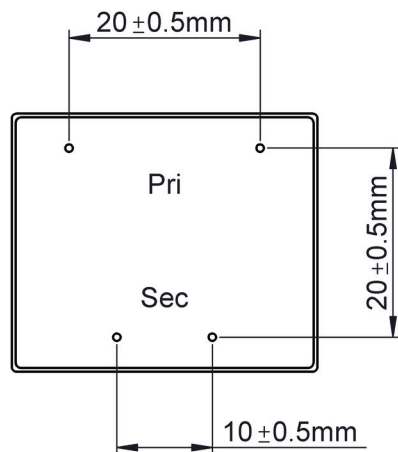
Electrical Connections

| | | | |
|----------------|-----|-----------------|-----|
| Input terminal | Pin | Output terminal | Pin |
|----------------|-----|-----------------|-----|

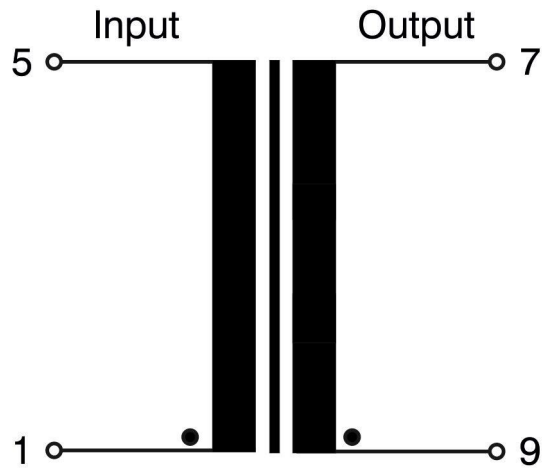
Size & Weight

| | | | |
|--------|---------|---------------|----------|
| Width | 32.8 mm | Weight | 0.084 kg |
| Height | 24.4 mm | Core weight | 0.057 kg |
| Depth | 27.8 mm | Copper weight | 0.02 kg |

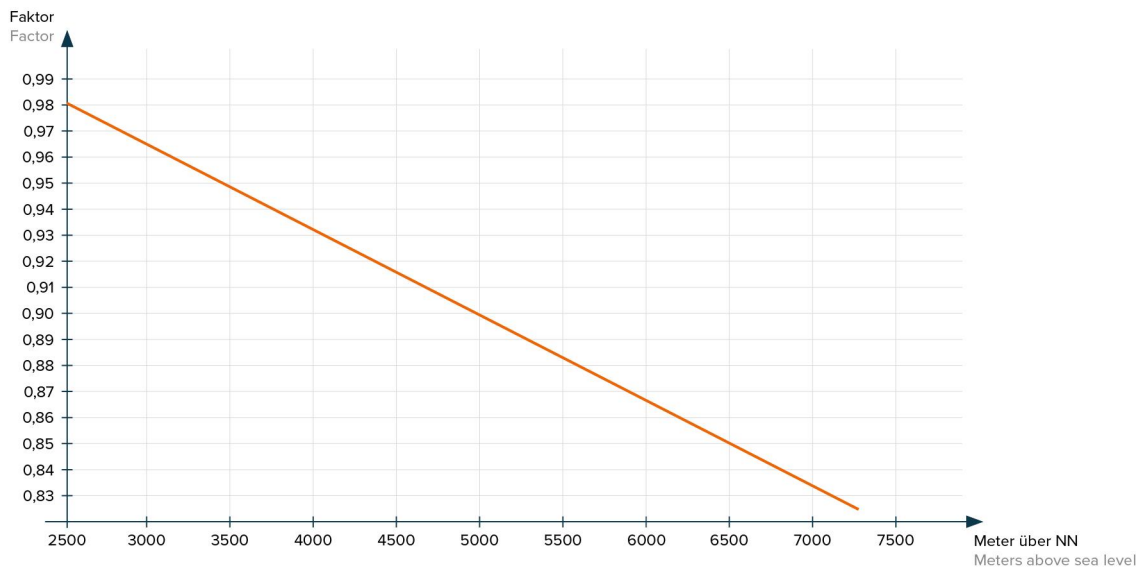
Dimensions



| | |
|-------------|-------------|
| Cited date | 19.12.2024 |
| Part number | VB 1,5/1/24 |
| Page | 2 |



Derating - Installation height



Standards and approvals



RoHS compliant



EN 61558-2-6
2009



CE compliant



VDE Approval



Approval cULus -
Recognized
UL 5085-1/-2;
CSA 22.2 E103521

Notes

Technical specifications are typical,
they can vary due to material and production tolerances.

| | |
|-------------|-------------|
| Cited date | 19.12.2024 |
| Part number | VB 1,5/1/24 |
| Page | 3 |

BLOCK Transformatoren-Elektronik GmbH
Max-Planck-Straße 36-46
27283 Verden, Germany
Phone: +49 4231 678-0
www.block.eu

