

Short circuit proof PCB transformer,  
safety isolating transformer

# DATA SHEET

## VB 1,5/2/12



### Type number

|              |             |
|--------------|-------------|
| Order number | VB 1,5/2/12 |
| Series       | VB          |
| Core size    | EI 30/12,5  |

### Technical data

| Tapping  | Voltage [V] | Current [A] | Fuse |
|----------|-------------|-------------|------|
| Input 1  | 230         |             |      |
| Output 1 | 12          | 0.063       |      |
| Output 2 | 12          | 0.063       |      |

### General

|                 |                |                |        |
|-----------------|----------------|----------------|--------|
| Power           | 1.5 VA         | Duty Cycle     | 100 %  |
| Phases          | 1              | No-Load Losses | 0.9 W  |
| Frequency range | 50 up to 60 Hz | Wire material  | Copper |

### Operating conditions

#### General

|                     |                                |                 |      |
|---------------------|--------------------------------|-----------------|------|
| Short circuit proof | inherently short-circuit proof | Switching group | lii0 |
| Cooling type        | AN                             |                 |      |

|             |             |
|-------------|-------------|
| Cited date  | 19.12.2024  |
| Part number | VB 1,5/2/12 |
| Page        | 1           |

BLOCK Transformatoren-Elektronik GmbH  
Max-Planck-Straße 36-46  
27283 Verden, Germany  
Phone: +49 4231 678-0  
www.block.eu

**BLOCK**   
perfecting power

## Environment

|                          |                                  |                       |                 |
|--------------------------|----------------------------------|-----------------------|-----------------|
| Max. installation height | 2,000 m                          | Transport temperature | -20 up to 85 °C |
| Ambient temperature      | -20 up to 70 °C (UL: max. 40 °C) | EN Insulation class   | B (130°C)       |
| Storage temperature      | -20 up to 85 °C                  | UL Insulation class   | class 105       |

## Protection & Safety

|                             |       |                         |     |
|-----------------------------|-------|-------------------------|-----|
| Protection type             | IP 00 | Degree of contamination | 1   |
| Protection class (prepared) | II    | Overvoltage category    | III |

## Mechanical data

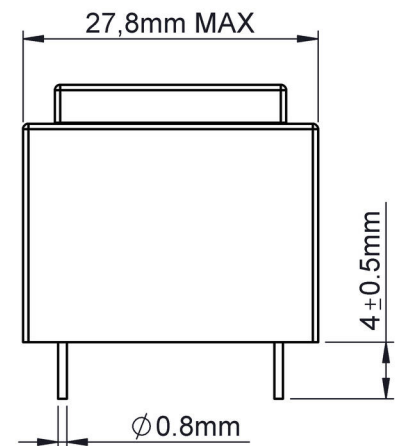
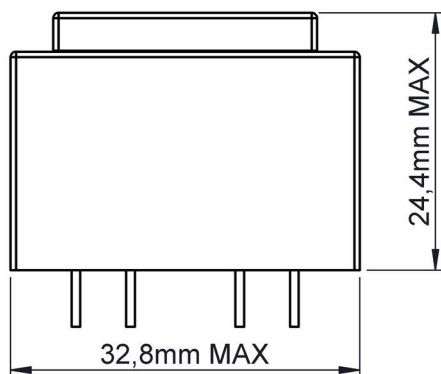
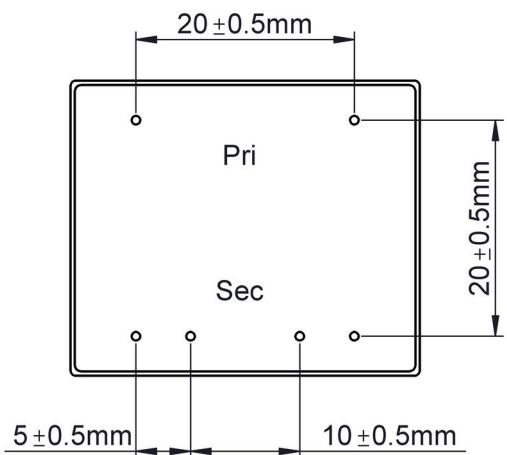
### Electrical Connections

|                |     |                 |     |
|----------------|-----|-----------------|-----|
| Input terminal | Pin | Output terminal | Pin |
|----------------|-----|-----------------|-----|

### Size & Weight

|        |         |               |          |
|--------|---------|---------------|----------|
| Width  | 32.8 mm | Weight        | 0.08 kg  |
| Height | 22.3 mm | Core weight   | 0.057 kg |
| Depth  | 27.8 mm | Copper weight | 0.02 kg  |

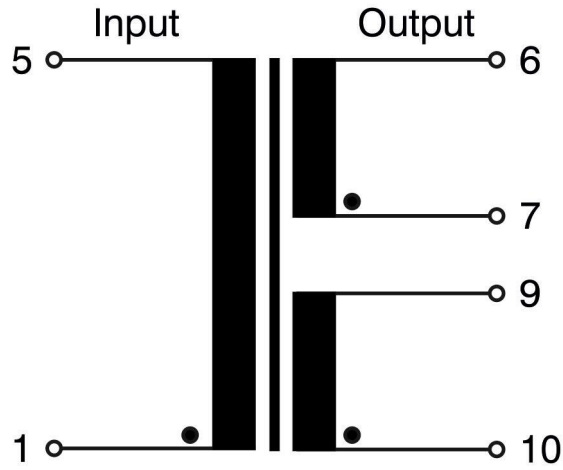
## Dimensions



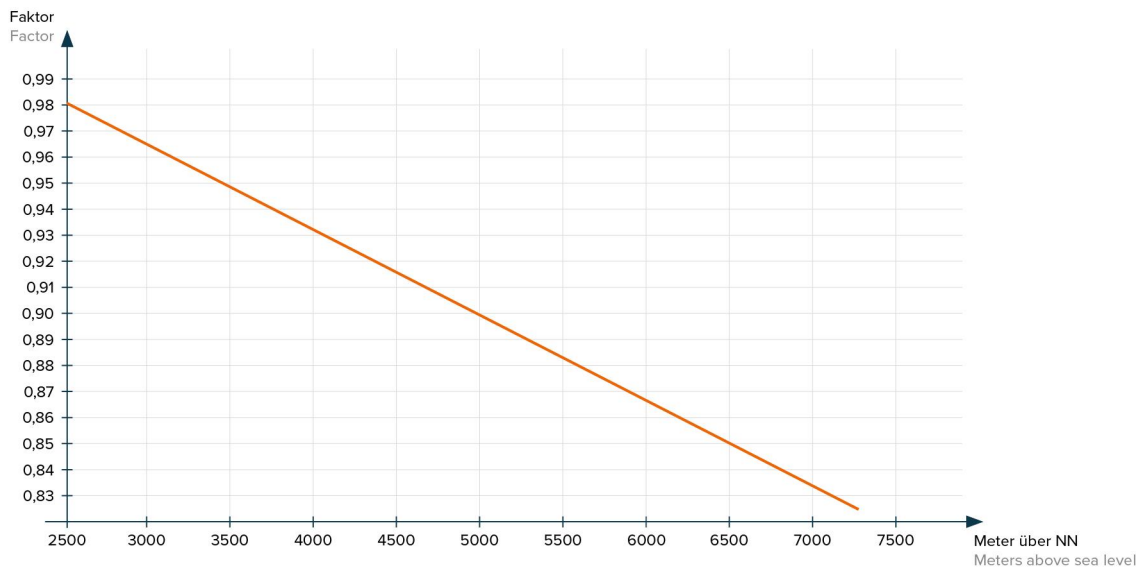
|             |             |
|-------------|-------------|
| Cited date  | 19.12.2024  |
| Part number | VB 1,5/2/12 |
| Page        | 2           |

BLOCK Transformatoren-Elektronik GmbH  
Max-Planck-Straße 36-46  
27283 Verden, Germany  
Phone: +49 4231 678-0  
www.block.eu

**BLOCK**   
perfecting power



Derating - Installation height



Standards and approvals



RoHS compliant



EN 61558-2-6  
2009



CE compliant



VDE Approval



Approval cULus -  
Recognized  
UL 5085-1/-2;  
CSA 22.2 E103521

Notes

Technical specifications are typical,  
they can vary due to material and production tolerances.

Cited date 19.12.2024

Part number VB 1,5/2/12

Page 3

BLOCK Transformatoren-Elektronik GmbH  
Max-Planck-Straße 36-46  
27283 Verden, Germany  
Phone: +49 4231 678-0  
www.block.eu

