



Technical Data

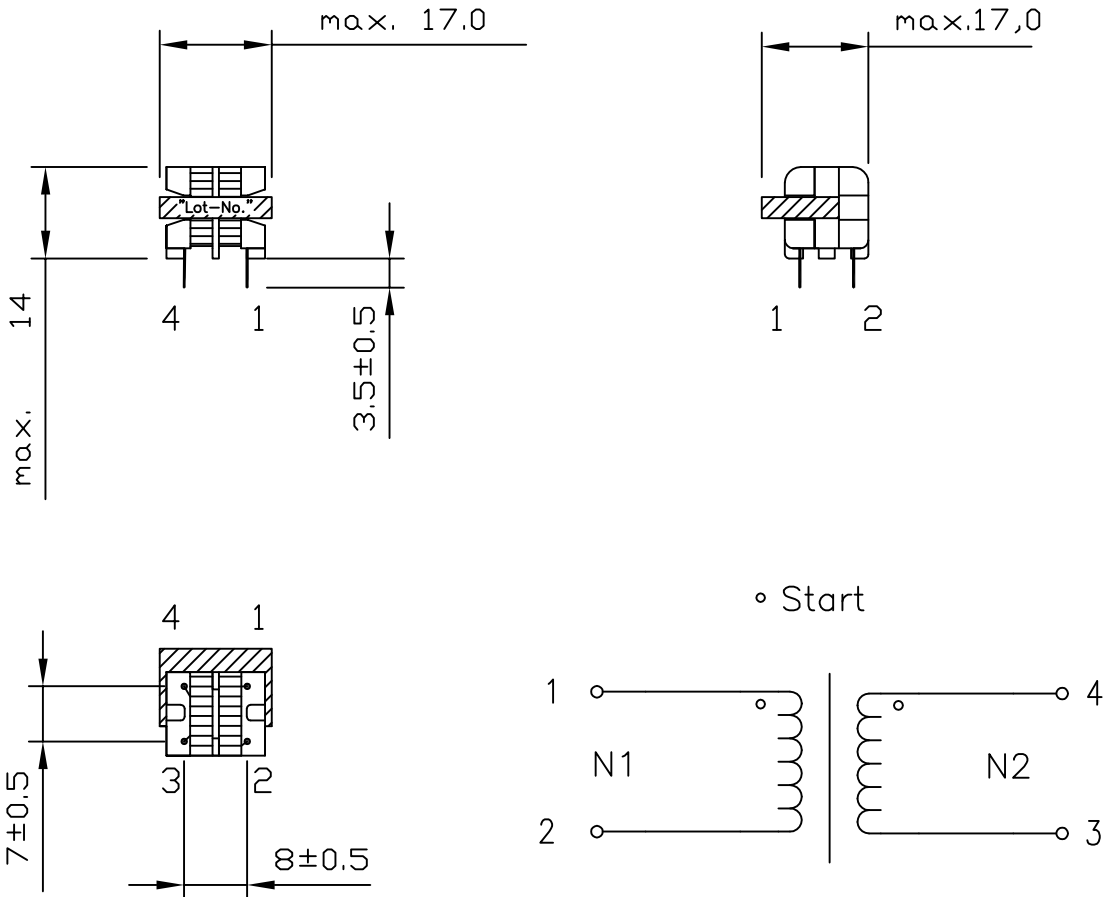
Core	UU9.8	Rated Voltage	<115V
Standards	EN61558-2-16 for working voltage <115V	Current	2x 0.35A
Insulation	All materials UL-listed	Inductance	2x >40mH
Insulation class	B (130°C)	Frequency	-
Operation temperature range	-20°C to +90°C	Impregnation	under vacuum

Materials

Part	Size	Material	Remarks
Core	UU9.8	Ferrite	$\mu_i=10000\pm 25\%$
Bobbin	UU9.8	Class B or higher	4 pins horizontal
Wire	$\varnothing 0.20$	Enameled copper wire class B or higher	-

Winding construction and outer dimensions

in mm, general tolerance to ISO 2768-m unless otherwise noted



Parameter test		HV - test		Marking		Marking	
Terminal or pin no.	Inductance in mH at 1kHz	50Hz / 2 sec.		Equipment	Ink-Jet	Equipment	-
1-2	>40	Pin no.	kV	Colour	-	Colour	-
4-3	>40	1-4	1	Position	Core	Position	Packaging
				"Lot-No."		SKD 40/0,35 Block "Lot-No."	