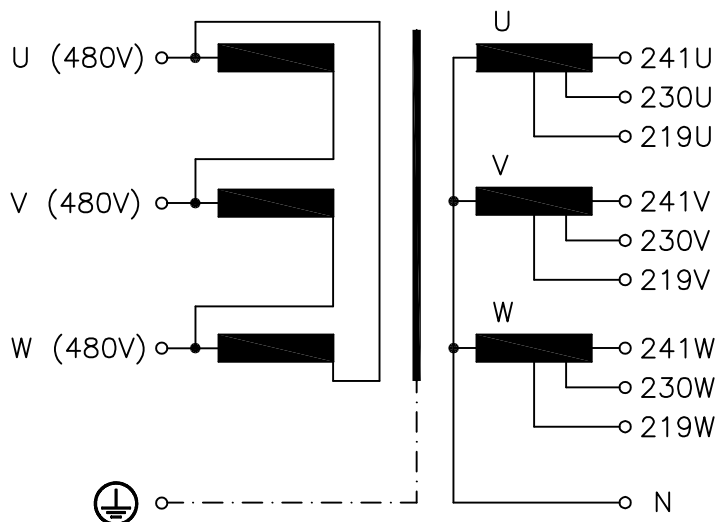


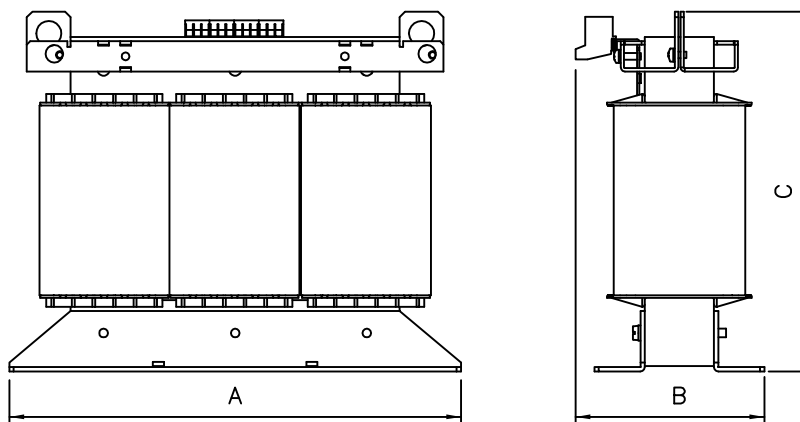


**Anschlußkennzeichnung:**  
 Terminal Identification



⊕	⊘	⊘	⊘	⊘	⊘	⊘	⊘	⊘	⊘	⊘			
⊕	U	V	W	N	219U	219V	219W	230U	230V	230W	241U	241V	241W

**Abmessungen:**  
 Dimensions



- A= 480mm
- B= 191mm
- C= 397mm
- D= 316mm
- d1= 370mm
- d2= 450mm
- E= 143mm
- e1= 151mm
- e2= 133mm

Befestigungslöcher= 12mm x 20mm  
 Mounting holes: 12mm x 20mm

Gewicht: typ. 89kg (Cu= 29kg, Fe= 52kg)  
 Weight: typ. 89kg (Cu= 29kg, Fe= 52kg)

