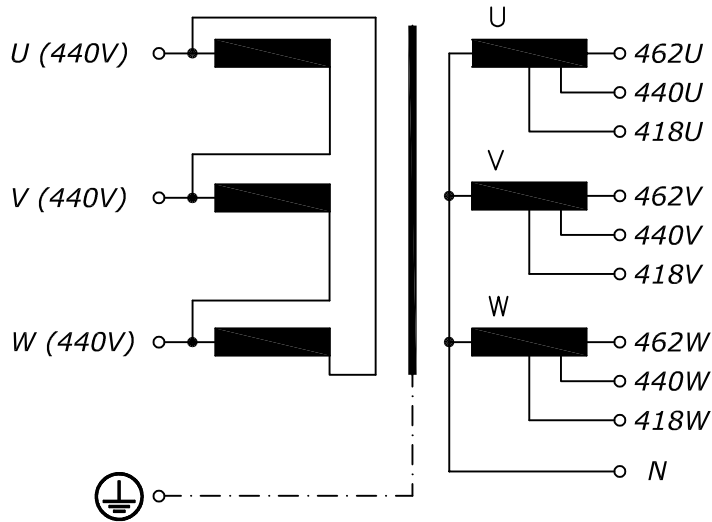
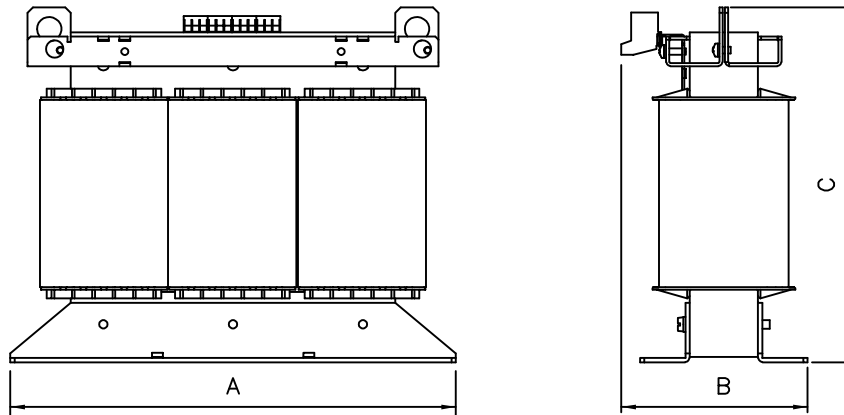


Anschlußkennzeichnung:
 Terminal Identification



	U	V	W	N	418U	418V	418W	440U	440V	440W	462U	462V	462W

Abmessungen:
 Dimensions



- A= 550mm
- B= 300mm
- C= 510mm
- D= 356mm
- d1= 430mm
- d2= 516mm
- E= 214mm
- e1= 240mm
- e2= 212mm

Befestigungslöcher: 14,5mm x 24,0mm
 Mounting holes: 14,5mm x 24,0mm

Gewicht: typ. 223kg (Fe= 130kg; Cu= 76kg)
 Weight: typ. 223kg (Fe= 130kg; Cu= 76kg)

