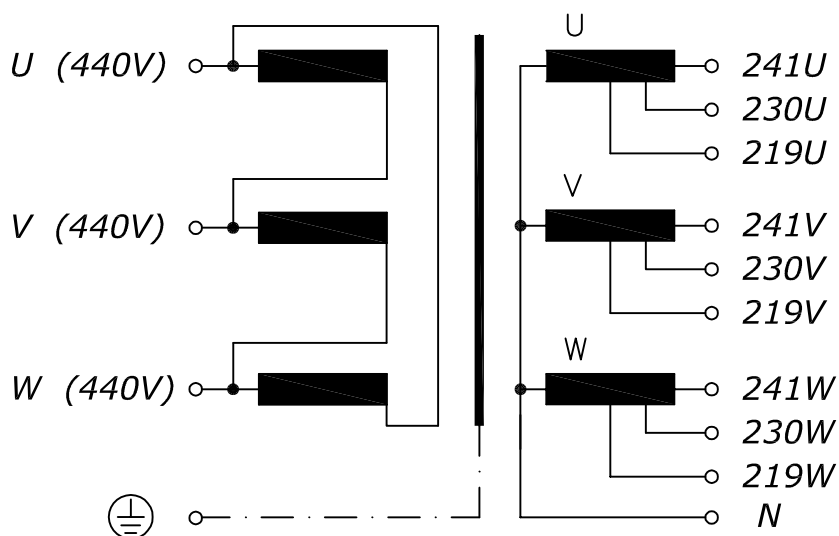
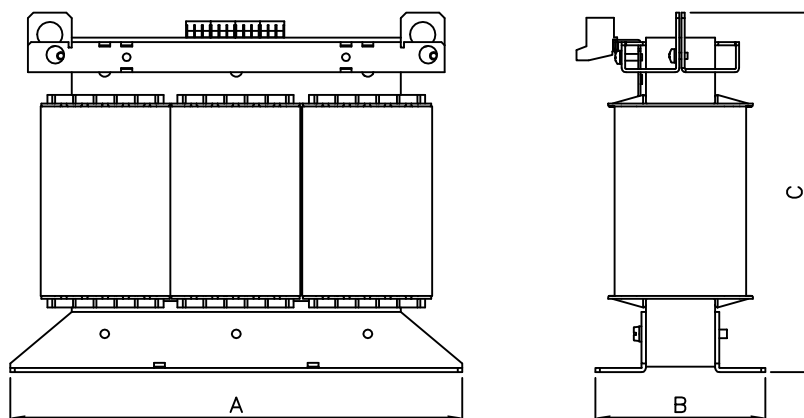


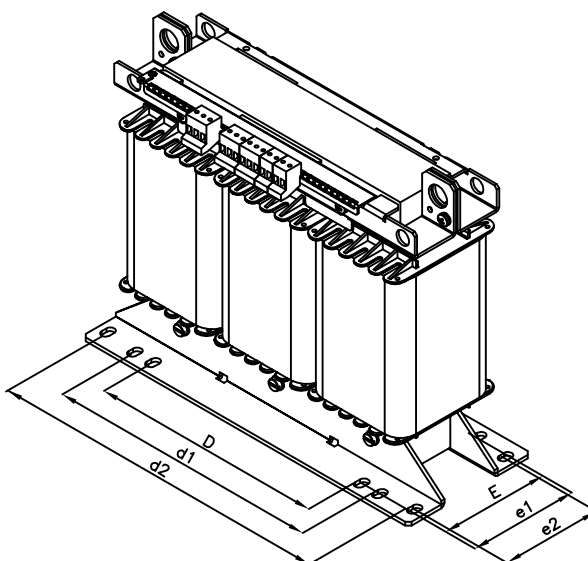
Anschlußkennzeichnung:
 Terminal Identification



Abmessungen:
 Dimensions



- A= 412mm
- B= 155mm
- C= 340mm
- D= 264mm
- d1= 310mm
- d2= 388mm
- E= 125mm
- e1= 125mm
- e2= 115mm



Befestigungslöcher: 10,0mm x 16,0mm
 Mounting holes: 10,0mm x 16,0mm

Gewicht: typ. 50kg (Fe= 33kg; Cu= 14kg)
 Weight: typ. 50kg (Fe= 33kg; Cu= 14kg)