

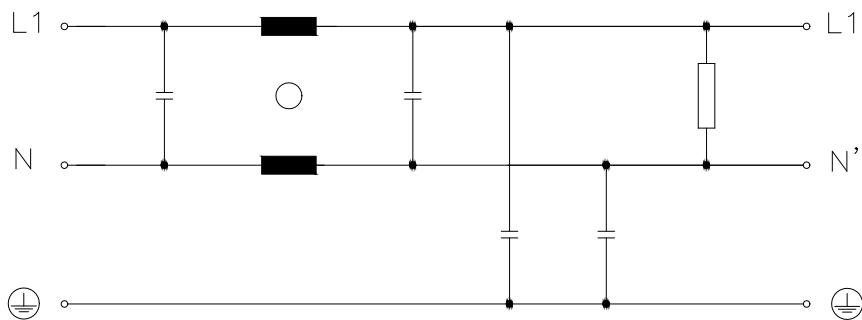
识别 / Identification

标准	Standard	HFE 356-230/x	滤波器类型	Type of filter	1~ EMI-Filter
			系列	Model Family	HFE 356

技术数据 / Technical Data

相数	No. of phase				1
防护等级	Protection class				I
额定电压	Rated voltage	[V]			250 AC
额定频率	Rated frequency	[Hz]			50 – 60
额定电流	Rated current	[A]			1 3 6 10 12 16
泄漏电流	Max. leakage current	[mA]			2 2 2 2 2 2
损耗	Power loss	[W]			0.8 1.8 2.6 4.0 6.2 8.9
		[kV]			1.70 DC Line-Neutral 2 sec
测试电压	Test voltage	[kV]			2.70 DC Line-case 2 sec
		[kV]			2.70 DC Neutral-case 2 sec

典型的电路图 / Typical circuit diagramm:



运行条件 / Operating conditions

防护等级	Protection index		IP 20
环境温度	Ambient temperature	[°C]	-10 +45
储存温度	Storage temperature	[°C]	-25 +70 (EN 60721-3-1 ; 1K3)
运输温度	Transport temperature	[°C]	-40 +85 (EN 60721-3-2 ; 2K3)
过载能力	Overload capability		1.5 倍额定电流每小时 1 分钟 / 1.5 times rated current for 1 minute per hour
气候种类	Climatic category		25/085/21 (EN 60068-1)
湿度	humidity		3K3 (没有冷凝, 中间相应湿度 85%) (Without condensation, medium relative humidity 85%)
可燃等级	Class of flammability		UL 94V-2 或者更好 / UL 94V-2 or better
温度等级 VDE	Class ISO °C VDE		A (105°C)
冷却类型	Type of cooling		AN
运行条件	Operating conditions		DB
并联	Parallel connection		是 / yes (90% 单个负载) / (90% Single load)
过电压类别	Overvoltage category		3 >2000m = 2 (EN 61800-5-1)
抗震性	Vibration resistance		Transport 2M2 (IEC/EN 60721-3-2)
污染度	Degree of pollution		2 (EN 61800-5-1)
MTBF	MTBF	[h]	> 500.000 @ 40°C / 250V

备注 / Notes

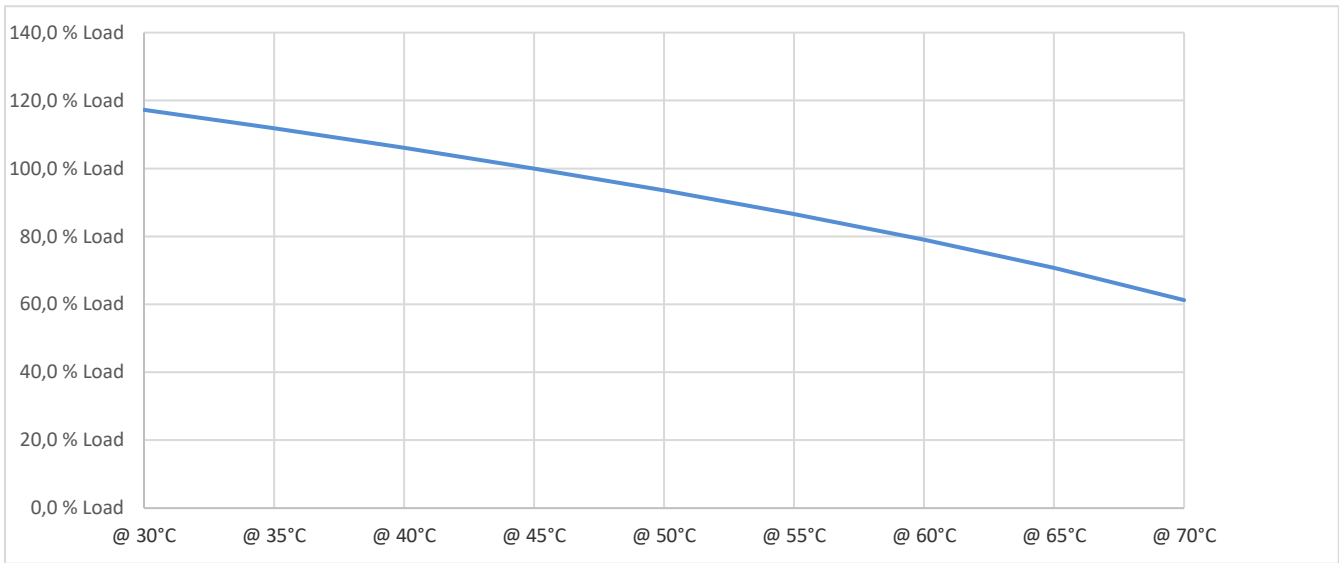
技术规范是典型的
由于材料和生产误差它们可能改变

Technical specifications are typical.
They can vary due to material and production tolerances.

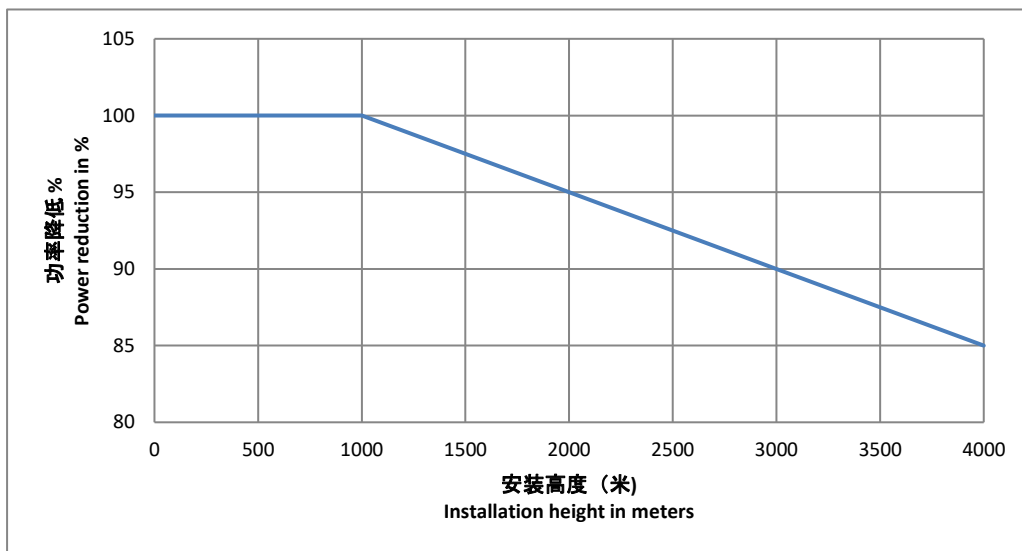
标准 / Standards

类型 / Type:	日期 / Date	符号 / Signs
EN 60939-2	2016	
EAC	2015	
SJ/T 11363-2006 (China-RoHS)	2006	
RoHS 2011/65/EU	2011	
RoHS 2015/863/EU	2015	

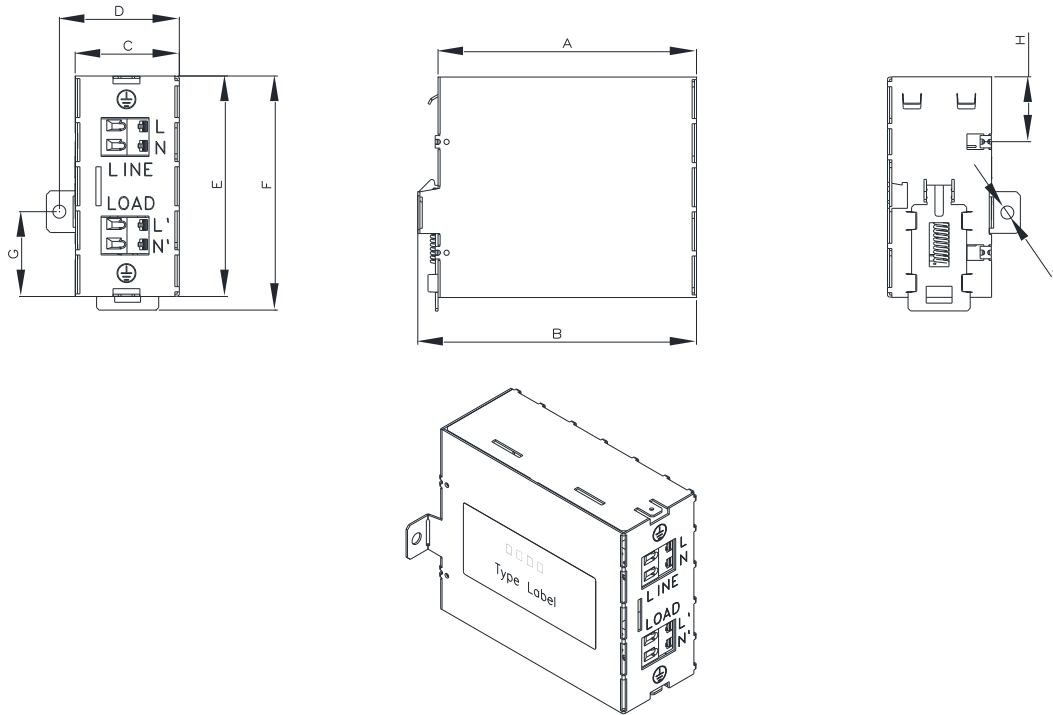
降级 / Derating



功率降低 / Power reduction



设计图 / Construction drawing



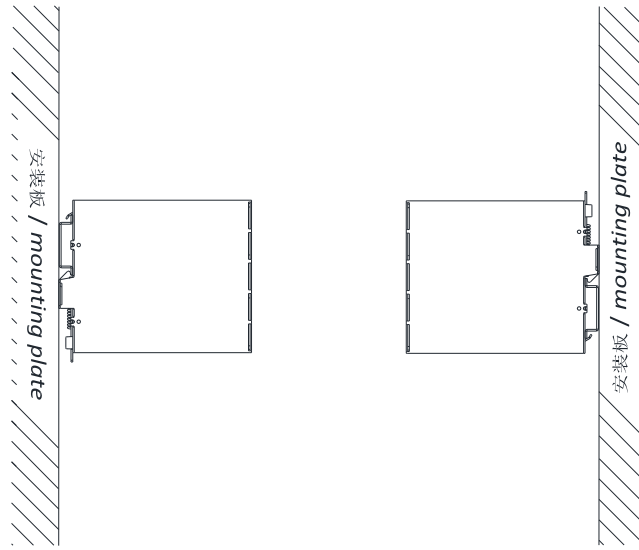
尺寸 / Dimensions

额定电流 Rated current	A	B	C	D	E	F	G	H	I	重量 Weight
[A]	[mm]	[mm]	[mm]	[mm]	[mm]	[mm]	[mm]	[mm]	-	[g]
1	100	107.5	40	46.3	85	90	33	25	M4	310
3	100	107.5	40	46.3	85	90	33	25	M4	315
6	100	107.5	40	46.3	85	90	33	25	M4	320
10	100	107.5	40	46.3	85	90	33	25	M4	330
12	120	127	45	51.3	110	115	33	52	M4	540
16	120	127	45	51.3	110	115	33	52	M4	540

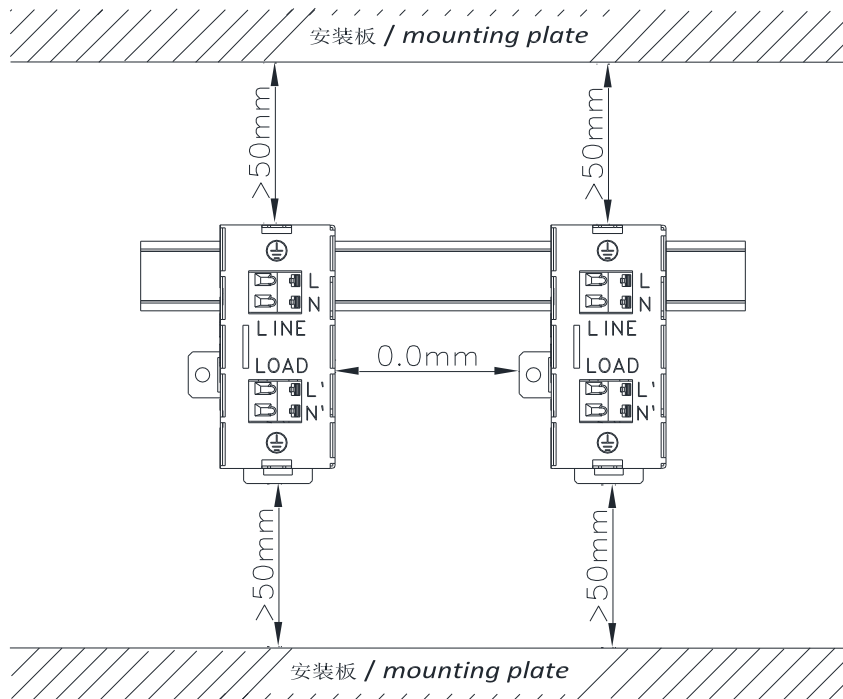
端子 / Terminals

输入 / 输出	Input / Output	[mm ²]	0.08 – 2.5	单根线和细纹 / Single wire and Finely-stranded
		[mm ²]	0.25 – 1.5	带电缆和套管的细纹 Finely-stranded with cable and sleeves
		AWG	28 – 12	
		[mm]	5 – 6	剥离长度 / Stripping length
PE 端子	PE Terminal	扁插头 / Faston	笼式弹簧夹持 / Cage Clamp	连接技术 / Connection technology
			6.3 x 0.8	

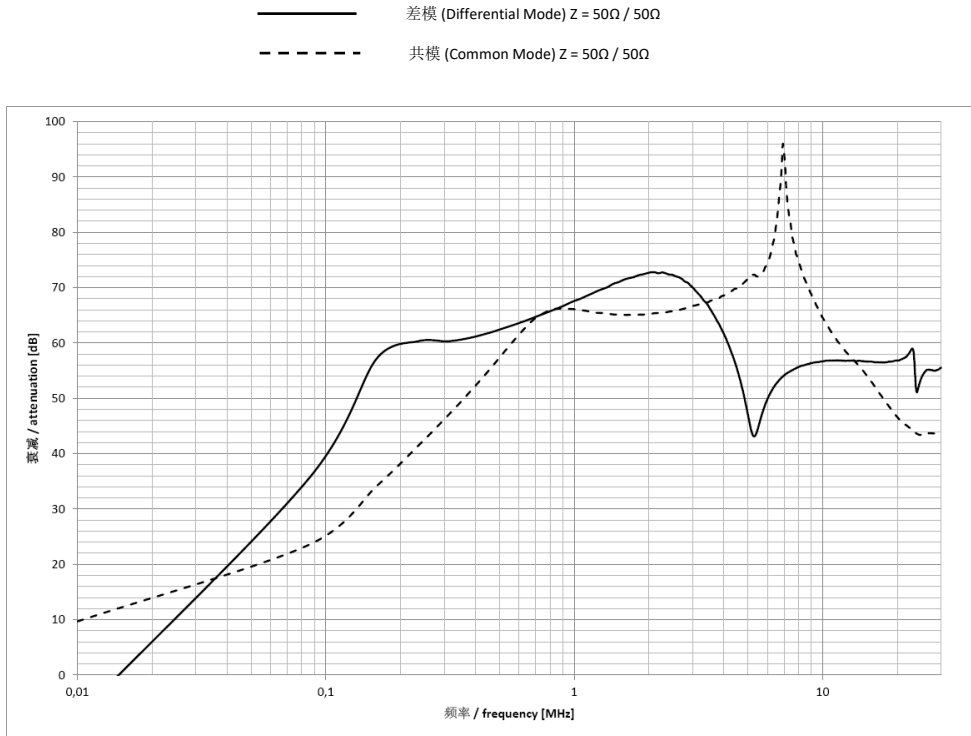
安装指导 / Mounting directions



可用空间 / Free spaces



典型滤波器衰减 / Typical filter attenuation



安全通知 / Safety notices

在操作设备之前，请仔细阅读这些警告和安全注意事项。本设备的安装仅供合格人员使用。当设备出现故障或损坏时，应立即切断电源电压，送生产车间检查。设备不包含任何服务部件。指定的数据仅服务于产品描述，不被理解为法律意义上的授权特征。

正确使用

该设备设计用于安装在接线柜中，并于工业控制系统，机床，风机和电梯等变频器配套使用。请勿在飞机，火车或是核设施控制系统中使用此设备，因为故障可能导致严重的伤害或是死亡。

安装

安装应按当地条件、有关规定、国家事故预防规定和工程技术规程进行。这电气设备是为安装在电气系统或机器上而设计的部件。必须保持与相邻部件之间所需的最小距离防止冷却系统受到阻碍！

Please read these warnings and safety notices carefully before operating the device. Installation of the device is reserved for competent and qualified personnel. In the event of malfunctions or damage to the device, switch off the supply voltage immediately and send to the production plant for inspection. The device does not contain any service parts. The specified data serve the product description alone and are not understood as warranted characteristics in the legal sense.

Proper use

This device is designed for installation in a wiring cabinet and for general use with a frequency inverter such as industrial control systems, machine tools, wind turbines and elevators for example. Do not use this device in the control systems of aircraft, trains, or nuclear facilities where malfunction may result in severe injury or death.

Installation

Installation should be performed in accordance with local conditions, relevant provisions, national accident prevention regulations and the accepted rules of engineering. This electrical equipment is a component designed for installation in electrical systems or machines. The required minimum distance from the adjacent parts must be maintained in order to prevent the cooling system from being impeded!

说明 / Notes

图纸中的技术规范不具有约束力。
通用的公差符合 DIN 2768-c。
保留更改权力。

Technical specifications in the drawing are not binding.
General tolerance to DIN 2768-c.
Subject to change.