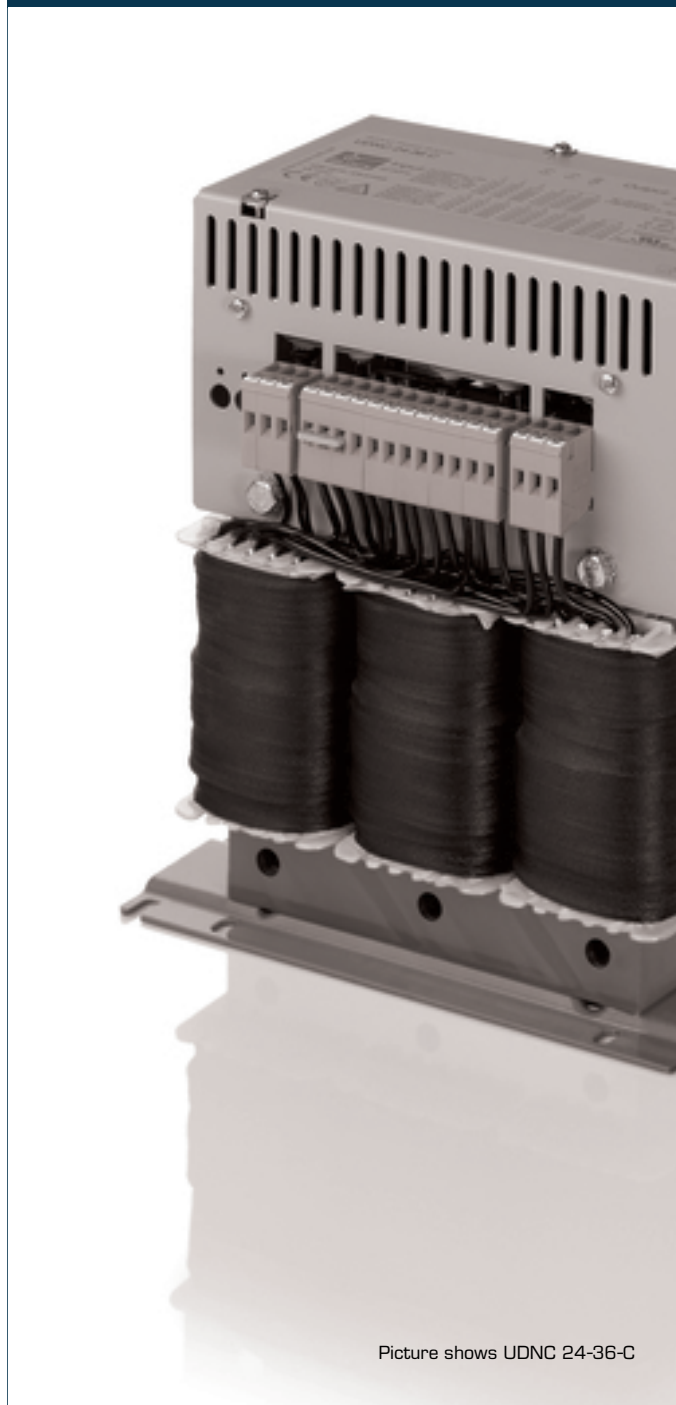


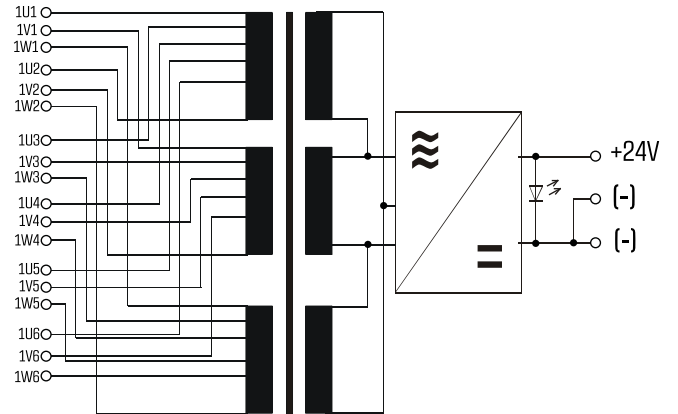
Three-phase, non stabilised universal DC power supply **DISCONTINUED**  
**UDNC 24-36 C Discontinued line - not for new designs**



## Applications

Robust DC power supply for harsh industrial applications.

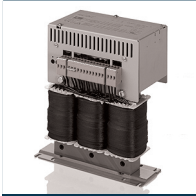
## Sample application



## Approvals



UL 5085-1/-2, CSA 22.2 No.66

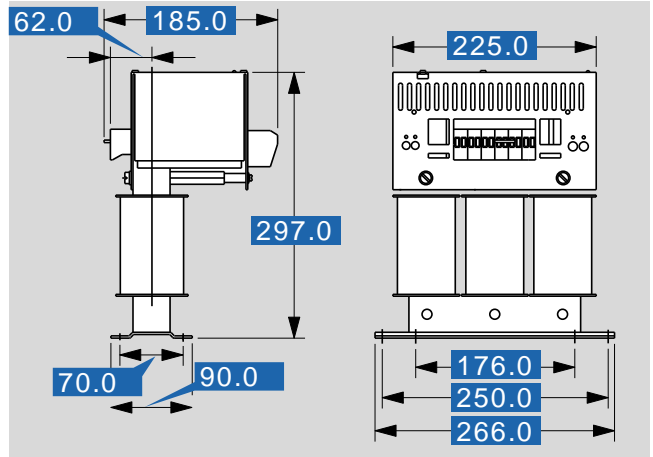


Three-phase, non stabilised universal  
DC power supply **DISCONTINUED**  
**UDNC 24-36 C Discontinued line - not for new designs**

Type	UDNC 24-36 C Discontinued line - not for new designs
Electrical data	
Input	
Rated input voltage	
Catalogue logic	
Order numbers	Not for new designs alternative type PC-0324-400-0
Order Number	<b>UDNC 24-36 C Discontinued line - not for new designs</b>

Type	UDNC 24-36 C Discontinued line - not for new designs
Mechanical data	

30 mm



Subject to change.