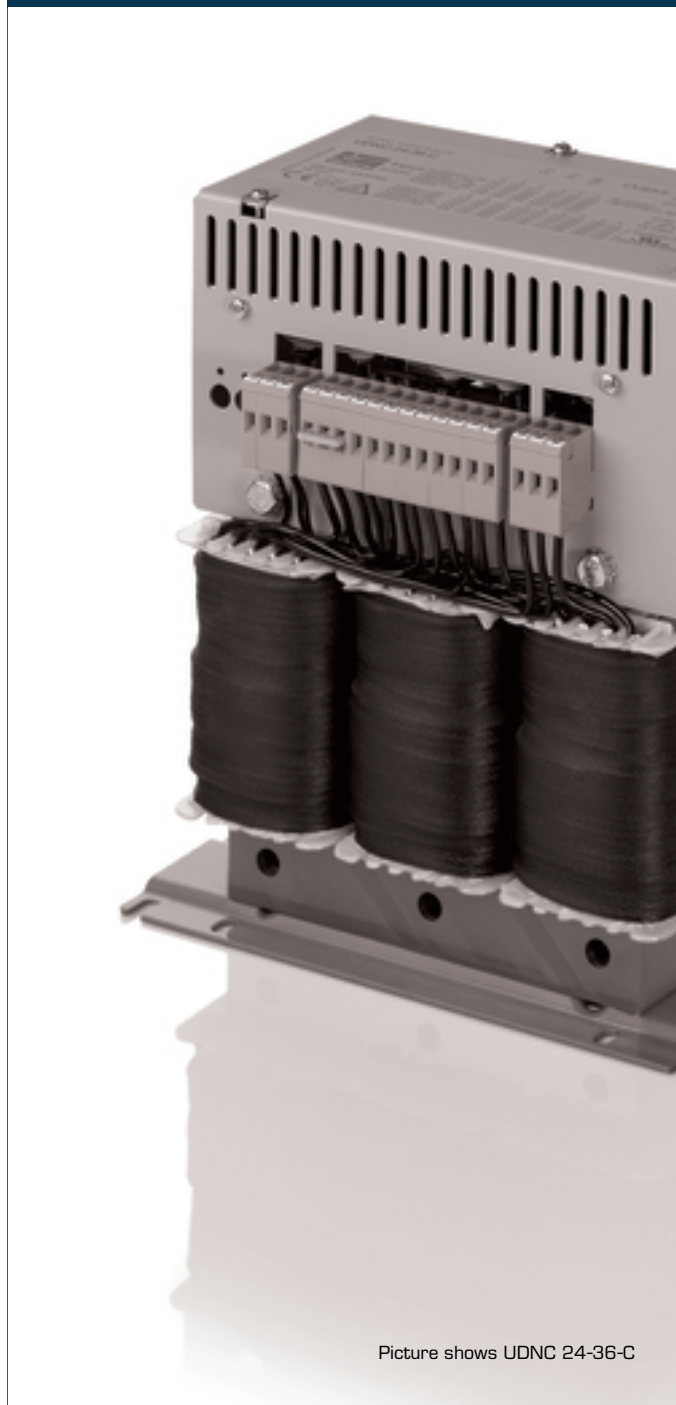


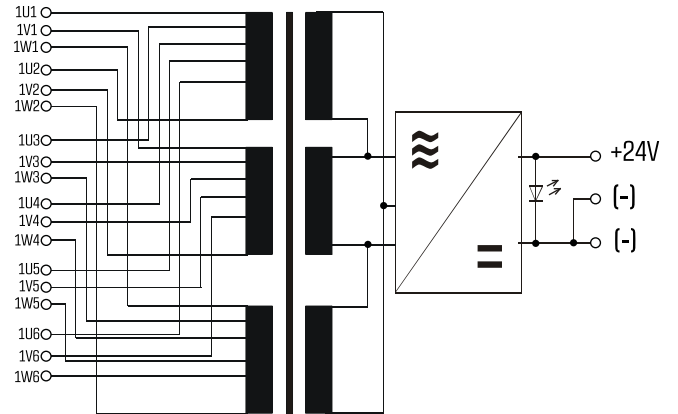
Three-phase, non stabilised universal DC power supply **DISCONTINUED**
UDNC 24-25 C Discontinued line - not for new designs



Applications

Robust DC power supply for harsh industrial applications.

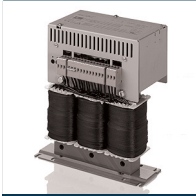
Sample application



Approvals



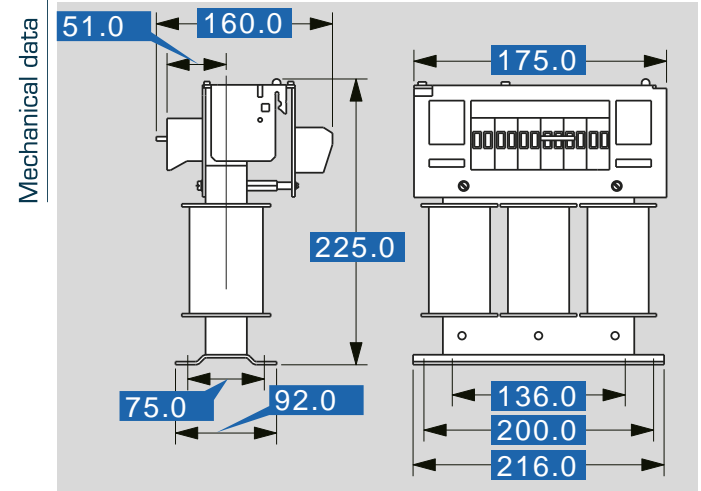
UL 5085-1/-2, CSA 22.2 No.66



Three-phase, non stabilised universal
DC power supply **DISCONTINUED**
UDNC 24-25 C Discontinued line - not for new designs

Type	UDNC 24-25 C Discontinued line - not for new designs
Electrical data	
Input	
Rated input voltage	
Catalogue logic	
Order numbers	Not for new designs alternative type PC-0324-400-0
Order Number	UDNC 24-25 C Discontinued line - not for new designs

Type	UDNC 24-25 C Discontinued line - not for new designs
------	--



Subject to change.