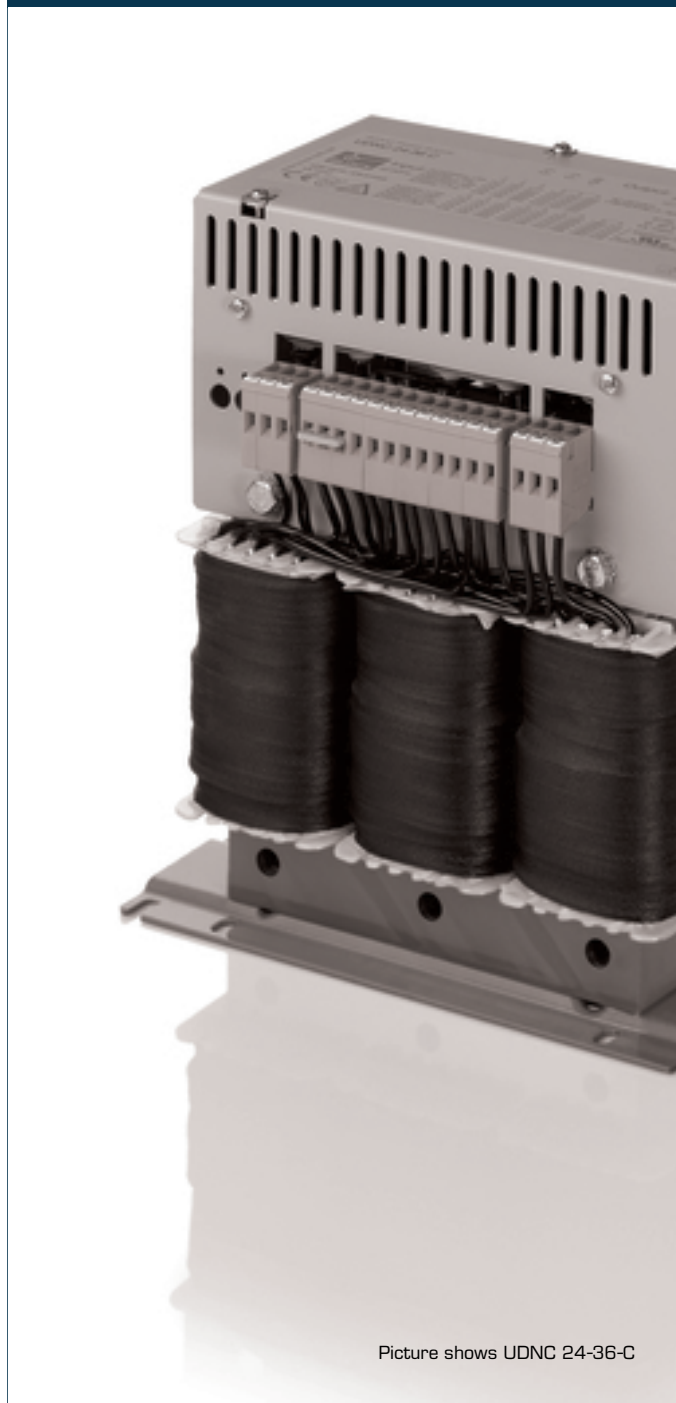


Three-phase, non stabilised universal DC power supply **DISCONTINUED**
UDNC 24-18 C - no longer available

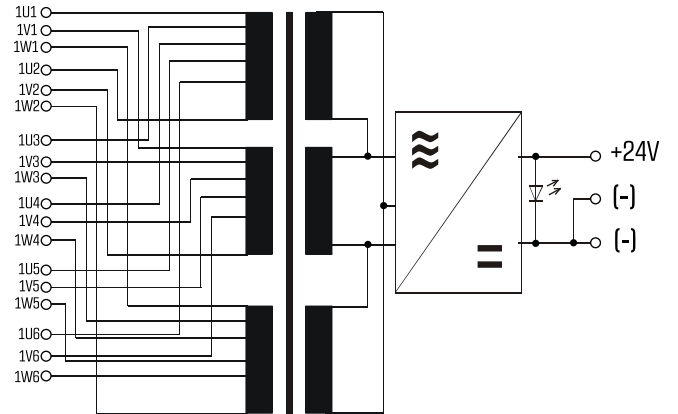


Picture shows UDNC 24-36-C

Applications

Robust DC power supply for harsh industrial applications.

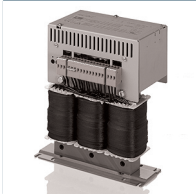
Sample application



Approvals

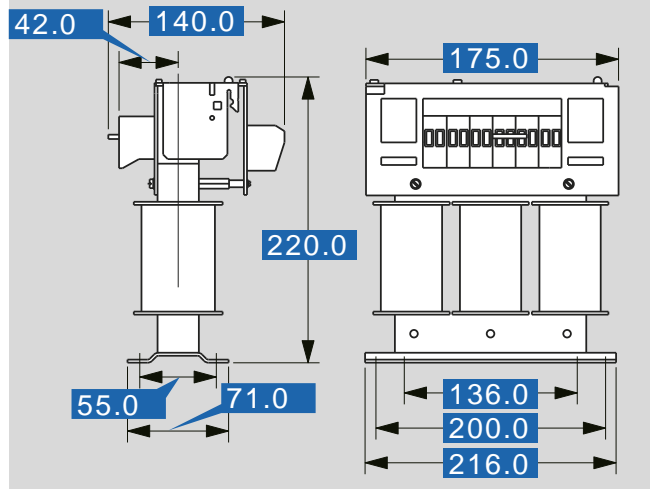


UL 5085-1/-2, CSA 22.2 No.66



Three-phase, non stabilised universal
DC power supply **DISCONTINUED**
UDNC 24-18 C - no longer available

Electrical data		Mechanical data	
Type	UDNC 24-18 C - no longer available	Type	UDNC 24-18 C - no longer available
Input			
Rated input voltage			
Catalogue logic			
Order numbers	Not for new designs alternative type PC-0324-200-0		
Order Number	UDNC 24-18 C - no longer available		



Subject to change.