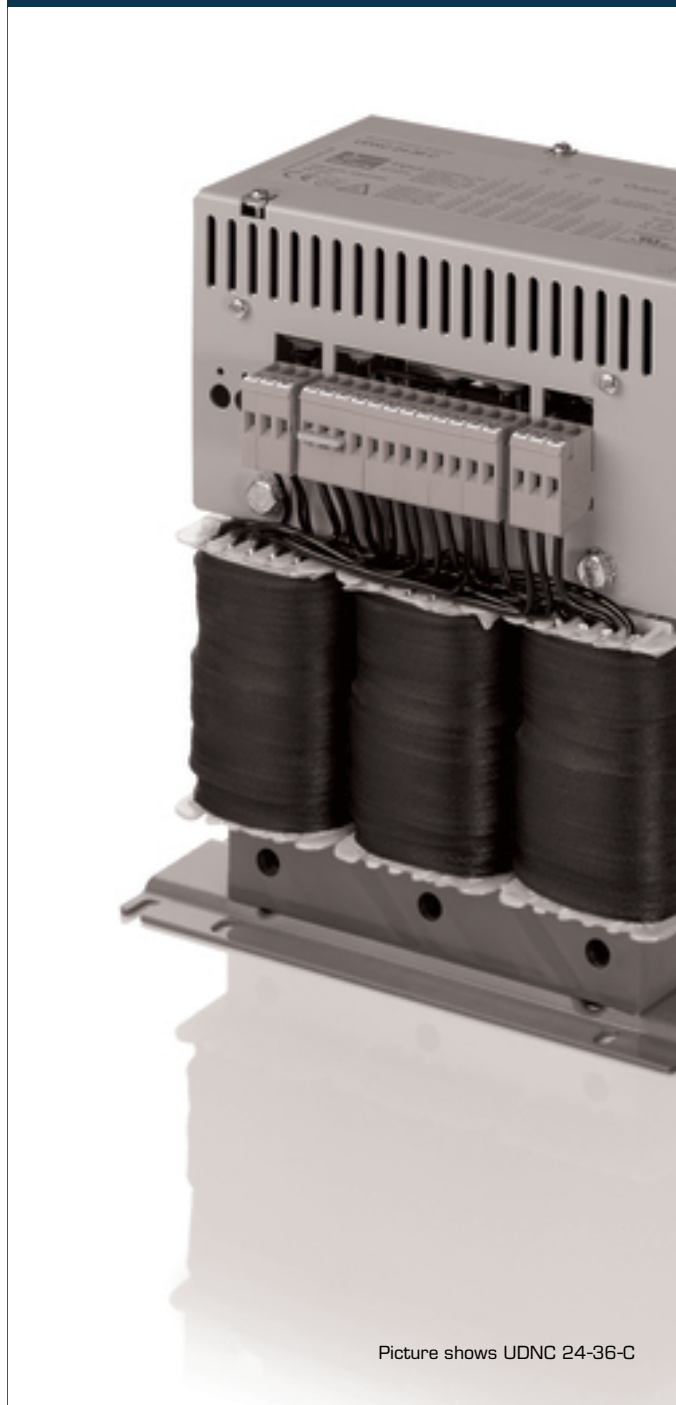


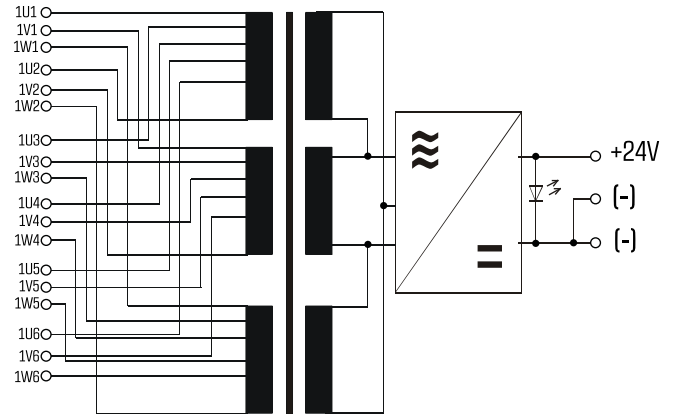
Three-phase, non stabilised universal DC power supply **DISCONTINUED**
UDNC 24-13,5 C Discontinued line - not for new designs



Applications

Robust DC power supply for harsh industrial applications.

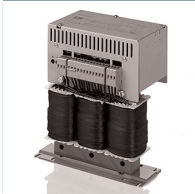
Sample application



Approvals



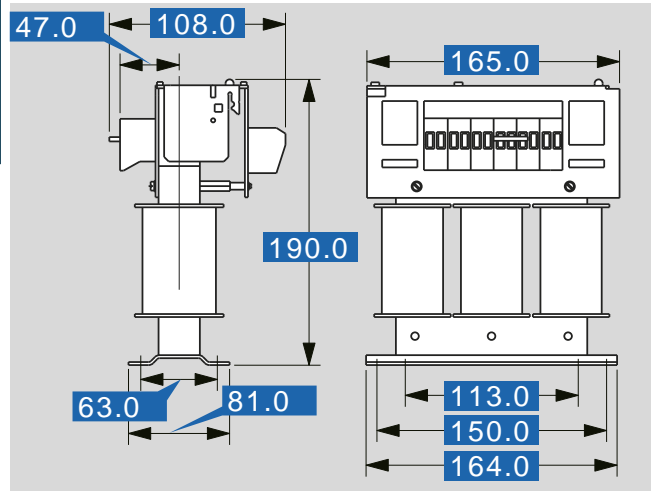
UL 5085-1/-2, CSA 22.2 No.66



Three-phase, non stabilised universal
DC power supply **DISCONTINUED**
UDNC 24-13,5 C Discontinued line - not for new designs

| | | |
|-----------------|---|---|
| Electrical data | Type | UDNC 24-13,5 C Discontinued line - not for new designs |
| | Input | |
| | Rated input voltage | |
| | Catalogue logic | |
| | Order numbers | Not for new designs alternative type PC-0324-200-0 |
| Order Number | UDNC 24-13,5 C Discontinued line - not for new designs | |

| | | |
|-----------------|------|---|
| Mechanical data | Type | UDNC 24-13,5 C Discontinued line - not for new designs |
|-----------------|------|---|



Subject to change.