

Isolating transformer with integrated insulation monitoring **TTIT 2500 Discontinued line - not for new designs**



Picture shows TTIT 2500/230

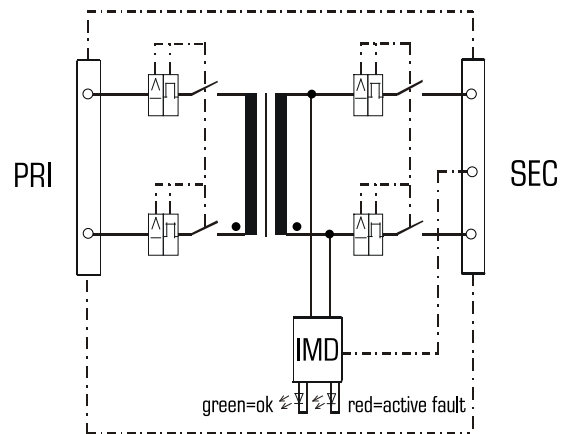
Advantages

Safe galvanic isolation
Visual status indicator
Integrated short circuit and overload protection
Very high efficiency
Very low idle current
High insulation strength, very good moisture protection and low noise thanks to XtraDenseFill resin encapsulation
High degree of protection
Carrying handles, mains connecting lead and socket for mobile use

Applications

Isolating transformer for mobile use for the safe electrical isolation of the input and output sides. The transformer can be used to build an IT network.

Sample application



Standards

Isolating transformer
to: VDE 0570 Part 2-4, DIN EN 61558-2-4, EN 61558-2-4, IEC 61558-2-4

Approvals

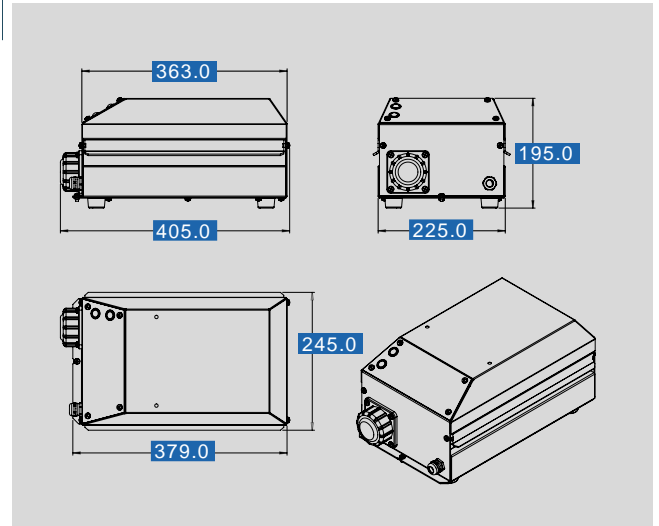




Isolating transformer with integrated insulation monitoring TTIT 2500 Discontinued line - not for new designs

Type		TTIT 2500 Discontinued line - not for new designs
Electrical data	Input	
	Rated input voltage	230 Vac
	Low-inrush current	315 A
	Rated frequency	50 - 60 Hz
	Output	
	Rated output voltage	230 Vac
	Rated Power	2,500 VA
	Short circuit voltage	2.7 %
	No-load current	0.6 Adc
	Efficiency	98.0 %
	Environment	
	Ambient temperature max.	40 °C
	Safety and protection	
	Short circuit strength	short-circuit proof
Insulation class	B	
Protection index	IP 54	
Type	Encapsulated in metal enclosure	
Safety class (prepared)	II	
Test voltage	3.6 kVac	
Order numbers		
Order Number	TTIT 2500 Discontinued line - not for new designs	

Type		TTIT 2500 Discontinued line - not for new designs
Mechanical data	Terminal and mounting	
	Terminals Input	Mains connection cable with protected contact plug
	Terminals Output	Protective contact socket
	Measures and weights	
	Weight	30.00 kg



Subject to change.