

Interference suppressing transformer **STT 200 - no longer available**



Picture shows STT 400

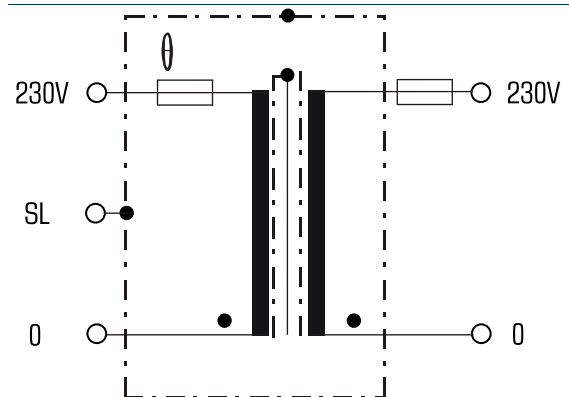
Advantages

Good attenuation against radio frequency interference and pulses
Low magnetic leakage field
Integrated short circuit and overload protection
Very good moisture protection and low noise thanks to resin encapsulation
High degree of protection
Carrying handle, mains connecting lead and socket for mobile use

Applications

Mains transformer complying with EN 61558-2-4 for portable application to minimize mains supply faults such as disturbing pulses and electrical noise.

Sample application



Standards

Mains transformer
to: VDE 0570 Teil 2-1, DIN EN 61558-2-1, EN 61558-2-1, IEC 61558-2-1

Approvals



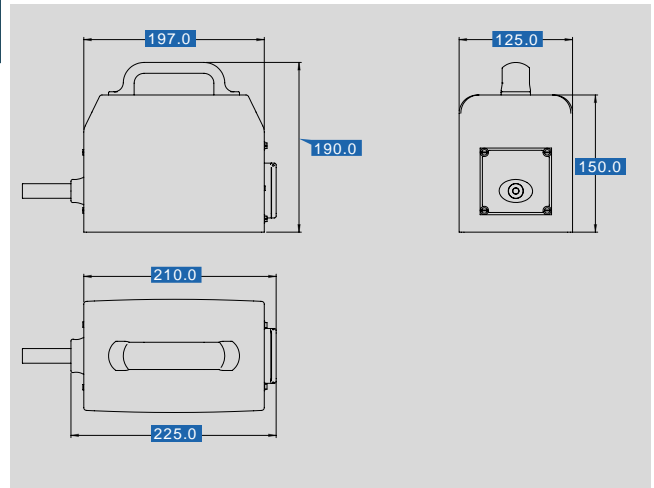


Interference suppressing transformer

STT 200 - no longer available

Type		STT 200 - no longer available
Electrical data	Input	
	Rated input voltage	230 Vac
	Rated frequency	50 - 60 Hz
	Output	
	Rated output voltage	230 Vac
	Rated Power	200 VA
	No-load voltage (app. x factor)	1.07
	Leakage cur. (PRI-PE)	57 µA (typ.)
	Efficiency	90.0 %
	Leakage cur. (PRI-SEC)	26 µA (typ.)
	Environment	
	Ambient temperature max.	40 °C
	Safety and protection	
	Type	Enclosed
	Insulation class	A
	Protection index	IP 44
	Safety class	I
	Insulation res. (PRI-PE)	>10 GΩ (typ.)
	Insulation res. (PRI-SEC)	>10 GΩ (typ.)
Coupling cap. (PRI-SEC)	262 pF (typ.)	
Magn. 50 Hz stray f. (Encl.)	0.30 mT (typ.)	
Short circuit strength	non-inherently short-circuit proof	
Test voltage	4000 Vac, 50 Hz	
Order numbers		
Order Number	STT 200 - no longer available	

Type		STT 200 - no longer available
Mechanical data	Terminal and mounting	
	Terminals Input	Mains connecting cable with safety plug
	Terminals Output	Protective contact socket
	Measures and weights	
	Weight	8.00 kg



Subject to change.