

Three-phase, primary switched mode power supply, Economy  
**PVSE 400/24-40Z - no longer available**



Picture shows PVSE 400/24-10

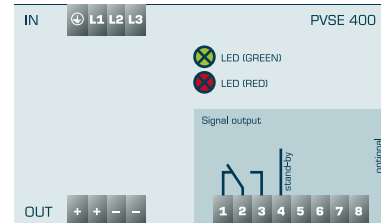
## Advantages

Stabilised and adjustable output voltage
Up to 200 % Real Power Boost for 4 seconds
Top Boost to trip conventional circuit breakers
DC OK signalling
Parallel connection option
Service-friendly spring-loaded connector system
Can be supplied with isolated DC OK signalling function
Panel installation on mounting rails

## Applications

Primary switched mode power supply with massive power reserves focussing on the key task of power supply.

## Sample application



## Approvals



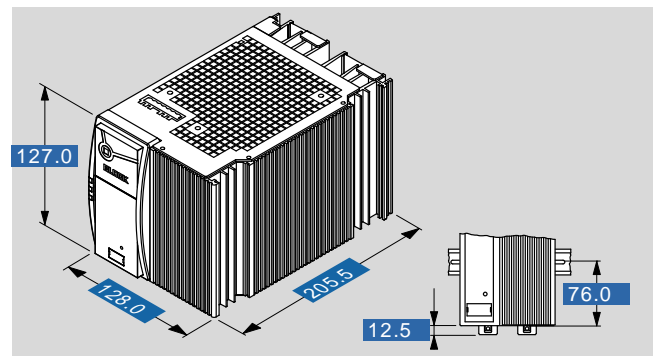
UL/CSA 60950 recognised, UL 508 listed, EAC



## Three-phase, primary switched mode power supply, Economy PVSE 400/24-40Z - no longer available

Type	PVSE 400/24-40Z - no longer available
<b>Electrical data</b>	
<b>Input</b>	
Input rated voltage	3 x 400 - 500 Vac
Input voltage range	340 - 550 Vac (480 - 780 Vdc)
Input rated current (rated load)	2 A (3 x 340 Vac)
Rated frequency range	44 Hz - 66 Hz / 0 Hz
Starting current limiter	<2 x rated current, active
Input fuse internal	3 x 6.3 A (slow-blow)
Recommended back-up fuse (circuit breaker)	10 A, 16 A, characteristics B, C
Harmonic correction	passive
Mains buffering (rated load)	15.6 / 42.9 ms (400 / 500 Vac)
Transient surge voltage protection	Varistor
<b>Output</b>	
Output rated voltage	24 Vdc
Output voltage range	22.8 - 28.8 Vdc
Resistance to reverse feed max.	35 Vdc
Output rated current	40.00 A
Parallel connection	Yes
Power Boost	60 A / 4 s (50 A / 8 s)
Overload behaviour	Constant current
max. Power loss idling/nominal load	7.0 / 66.2 W
Serial operation	Yes
Efficiency	typ. 93.1 %
Ripple factor	typ. 70 mVss
Top Boost	100 A / 50 ms
<b>Signaling</b>	
Power Good (DC OK)	LED green, LED red
Potential-free signal contact	Yes
Stand-by-input	Yes
<b>Approvals</b>	
Approvals	cURus, cULus
<b>Environment</b>	
Ambient temperature	-25° C to +55° C
Storage temperature	-25 °C to +85 °C
Derating	-5 %/K > +45° C
<b>Safety and protection</b>	
Protection index	IP 20
Safety class	I, with PE connection
<b>Accessory</b>	
Connector for signalling	PV-CON (optional)
Side DIN rail mounting	PV-TS35M (optional)
Direct screw fastening plate for lateral mounting	
<b>Order numbers</b>	
<b>Order Number</b>	<b>PVSE 400/24-40Z - no longer available</b>

Type	PVSE 400/24-40Z - no longer available
<b>Mechanical data</b>	
<b>Terminal and mounting</b>	
Terminals input, (spring clamp terminal, pluggable)	max. 2.5 mm <sup>2</sup>
Terminals output, (spring clamp terminal, pluggable)	max. 10 mm <sup>2</sup>
Terminals signalling, (spring clamp terminal, pluggable)	max. 0.5 mm <sup>2</sup>
Mounting position	vertical
Fixing method	DIN Rail system TS35
<b>Measures and weights</b>	
Weight	2.50 kg



Subject to change.