

Three-phase, primary switched mode power supply, Economy
PVSE 400/24-40A - no longer available



Picture shows PVSE 400/24-10

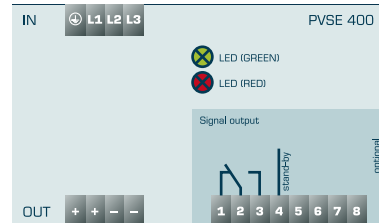
Advantages

Stabilised and adjustable output voltage
Up to 200 % Real Power Boost for 4 seconds
Top Boost to trip conventional circuit breakers
DC OK signalling
Parallel connection option
Service-friendly spring-loaded connector system
Can be supplied with isolated DC OK signalling function
Panel installation on mounting rails

Applications

Primary switched mode power supply with massive power reserves focussing on the key task of power supply.

Sample application



Approvals



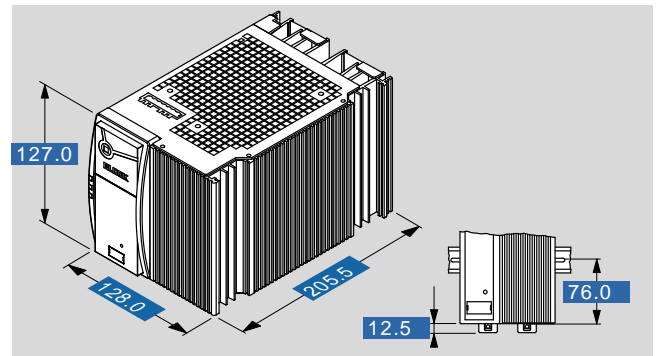
UL/CSA 60950 recognised, UL 508 listed, EAC



Three-phase, primary switched mode power supply, Economy PVSE 400/24-40A - no longer available

Type	PVSE 400/24-40A - no longer available
Electrical data	
Input	
Input rated voltage	3 x 400 - 500 Vac
Input voltage range	340 - 550 Vac (480 - 780 Vdc)
Input rated current (rated load)	2 A (3 x 340 Vac)
Rated frequency range	44 Hz - 66 Hz / 0 Hz
Starting current limiter	<30 A, NTC
Input fuse internal	3 x 6.3 A (slow-blow)
Recommended back-up fuse (circuit breaker)	10 A, 16 A, characteristics B, C
Harmonic correction	passive
Mains buffering (rated load)	15.6 / 42.9 ms (400 / 500 Vac)
Transient surge voltage protection	Varistor
Output	
Output rated voltage	24 Vdc
Output voltage range	22.8 - 28.8 Vdc
Resistance to reverse feed max.	35 Vdc
Output rated current	40.00 A
Parallel connection	Yes
Power Boost	60 A / 4 s (50 A / 8 s)
Overload behaviour	Constant current
max. Power loss idling/nominal load	7.0 / 66.2 W
Serial operation	Yes
Efficiency	typ. 93.1 %
Ripple factor	typ. 70 mVss
Top Boost	100 A / 50 ms
Signaling	
Power Good (DC OK)	LED green, LED red
Potential-free signal contact	Yes
Stand-by-input	Yes
Approvals	
Approvals	cURus, cULus
Environment	
Ambient temperature	-25° C to +55° C
Storage temperature	-25 °C to +85 °C
Derating	-5 %/K > +45° C
Safety and protection	
Protection index	IP 20
Safety class	I, with PE connection
Accessory	
Connector for signalling	PV-CON (optional)
Side DIN rail mounting	PV-TS35M (optional)
Direct screw fastening plate for lateral mounting	
Order numbers	
Order Number	PVSE 400/24-40A - no longer available

Type	PVSE 400/24-40A - no longer available
Mechanical data	
Terminal and mounting	
Terminals input, (spring clamp terminal, pluggable)	max. 2.5 mm ²
Terminals output, (spring clamp terminal, pluggable)	max. 10 mm ²
Terminals signalling, (spring clamp terminal, pluggable)	max. 0.5 mm ²
Mounting position	vertical
Fixing method	DIN Rail system TS35
Measures and weights	
Weight	2.50 kg



Subject to change.