

# Three-phase, primary switched mode power supply, Basic **PVSB 400/24-40B Discontinued line - not for new designs**



Picture shows PVSB 400/24-20

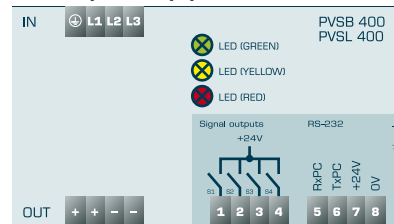
## Advantages

|   |
|---|
| LCD   |
| Output current and output voltage monitoring                  |
| RS-232 interface  |
| Stabilised and adjustable output voltage                      |
| Up to 200 % Real Power Boost for 4 seconds                    |
| Top Boost to trip conventional circuit breakers               |
| 3 LEDs and active signal outputs to indicate operating status |
| Parallel connection option                                    |
| Service-friendly spring-loaded connector system               |
| Can be supplied with active inrush current limiting option    |
| Panel installation on mounting rails                          |

## Applications

Primary switched mode power supply with high power reserves for all automation requirements with a variety of parameter setting and display functions, including output current and output voltage monitoring.

## Sample application



## Standards

Primary switched mode power supply  
to UL 60950, UL 508

Safety:  
EN 61558-2-16, EN 60950-1

EMC:  
EN 61204-3

## Approvals



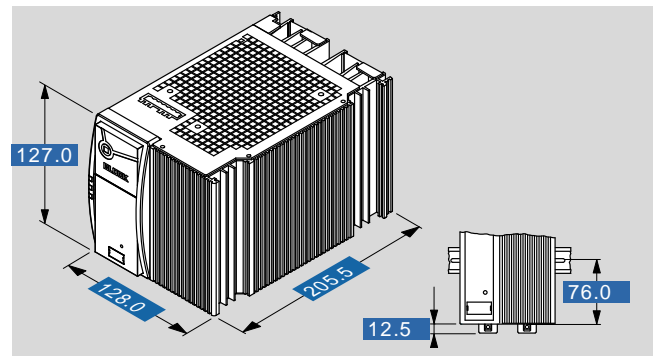
UL/CSA 60950 recognised, UL 508 listed, EAC



# Three-phase, primary switched mode power supply, Basic PVSB 400/24-40B Discontinued line - not for new designs

| Type  | PVSB 400/24-40B<br>Discontinued line - not for new designs     |
|---|--|
| <b>Electrical data</b>                            |  |
| <b>Input</b>                                      |  |
| Input rated voltage                               | 3 x 400 - 500 Vac  |
| Input voltage range                               | 340 - 550 Vac (480 - 780 Vdc)                                  |
| Input rated current (rated load)                  | 2 A (3 x 340 Vac)  |
| Rated frequency range                             | 44 Hz - 66 Hz / 0 Hz   |
| Starting current limiter                          | <2 x rated current, active                                     |
| Input fuse internal                               | 3 x 3.2 A (slow-blow)  |
| Recommended back-up fuse (circuit breaker)        | 10 A, 16 A, characteristics B, C                               |
| Harmonic correction                               | passive  |
| Transient surge voltage protection                | Varistor   |
| Mains buffering (rated load)                      | 15.6 / 42.9 ms (400 / 500 Vac)                                 |
| <b>Output</b>                                     |  |
| Output rated voltage                              | 24 Vdc   |
| Output voltage range                              | 22.8 - 28.8 Vdc  |
| Resistance to reverse feed max.                   | 35 Vdc   |
| Output rated current                              | 40.00 A  |
| Parallel connection                               | Yes  |
| Power Boost                                       | 60 A / 4 s (50 A / 8 s)  |
| Overload behaviour                                | Constant current or fuse                                       |
| Efficiency  | typ. 93.1 %  |
| Ripple factor                                     | typ. 70 mVss   |
| Top Boost   | 100 A / 50 ms  |
| <b>Signaling</b>                                  |  |
| Power Good (DC OK)                                | LED green, LED red, LED yellow                                 |
| Potential-free signal contact                     | No   |
| Active signal outputs                             | 4 x 24 Vdc, 2 configurable                                     |
| Stand-by-input                                    | No   |
| Display, interface                                | Yes, RS 232  |
| <b>Approvals</b>                                  |  |
| Approvals   | cURus, cULus   |
| <b>Environment</b>                                |  |
| Ambient temperature                               | -25° C to +55° C   |
| Storage temperature                               | -25 °C to +85 °C   |
| Derating  | -5 %/K > +45° C  |
| <b>Safety and protection</b>                      |  |
| Protection index                                  | IP 20  |
| Safety class                                      | I, with PE connection  |
| <b>Accessory</b>                                  |  |
| Connector for signalling                          | PV-CON (optional)  |
| Adapter cable for interface                       | PV-KOK2 (optional)   |
| Side DIN rail mounting                            | PV-TS35M (optional)  |
| Direct screw fastening plate for lateral mounting | PV-WB2 (optional)  |
| <b>Order numbers</b>                              |  |
| <b>Order Number</b>                               | <b>PVSB 400/24-40B Discontinued line - not for new designs</b> |

| Type   | PVSB 400/24-40B<br>Discontinued line - not for new designs |
|--|--|
| <b>Mechanical data</b>                                   |  |
| <b>Terminal and mounting</b>                             |  |
| Terminals input, (spring clamp terminal, pluggable)      | max. 2.5 mm <sup>2</sup>                                   |
| Terminals output, (spring clamp terminal, pluggable)     | max. 10 mm <sup>2</sup>                                    |
| Terminals signalling, (spring clamp terminal, pluggable) | max. 0.5 mm <sup>2</sup>                                   |
| Mounting position  | vertical   |
| Fixing method  | DIN Rail system TS35                                       |
| <b>Measures and weights</b>                              |  |
| Weight   | 3.03 kg  |



Subject to change.