

# Redundancy module, Economy DISCONTINUED MODEL

## PVRE 24/24-20 Discontinued line - not for new designs

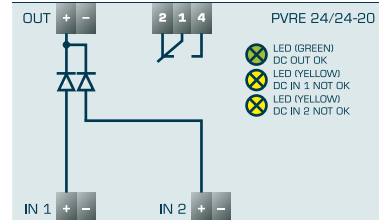


Picture shows PVRE 24/24-20

## Applications

Redundancy module for decoupling two power supplies for building a fail-safe delivery system. Set of machines and equipment requiring high operational reliability.

## Sample application



## Standards

Redundancy module  
to UL 60950, UL 508

Safety:  
EN 60950 (SELV), EN 60204 (PELV)

EMC:  
EN 61000-6-3 (Interference emissions), EN 61000-6-2 (Interference immunity)

## Approvals



UL/CSA 60950 recognised, UL 508 listed, EAC

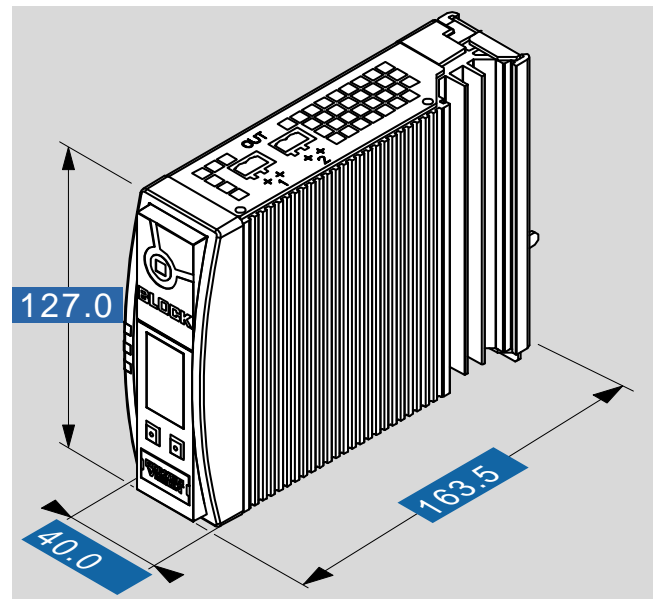


# Redundancy module, Economy DISCONTINUED MODEL

## PVRE 24/24-20 Discontinued line - not for new designs

Type	PVRE 24/24-20 Discontinued line - not for new designs
<b>Electrical data</b>	
<b>Input</b>	
Input rated voltage	24 Vdc
Input voltage range	18 - 30 Vdc
Input rated current	2 x 20 A / 1 x 40 A
<b>Output</b>	
Output rated voltage	24 Vdc
Output voltage	typ. U <sub>in</sub> - 1 Vdc (20 A)
Resistance to reverse feed max.	35 Vdc
Output rated current	40.00 A
Internal fuse	No
Parallel connection	Yes
max. Power loss idling/nominal load	1.5 / 14 W (20 A), 1.5 / 26 W (40 A)
Efficiency	typ. 97 %
<b>Signaling</b>	
Power Good (DC OK)	LED green, LED red, LED yellow
Potential-free signal contact	Changeover contact
Active signal outputs	No
Display, interface	No
<b>Approvals</b>	
Approvals	cURus, cULus
<b>Environment</b>	
Ambient temperature	-10° C to +60° C
Storage temperature	-25° C to +85° C
<b>Safety and protection</b>	
Protection index	IP 20
Safety class	III, without PE connection
<b>Accessory</b>	
Side DIN rail mounting	PV-TS35M (optional)
Direct screw fastening plate for lateral mounting	PV-WB2 (optional)
Catalogue logic	Not for new designs Alternative type PG-0624-400-0
<b>Order numbers</b>	
<b>Order Number</b>	<b>PVRE 24/24-20 Discontinued line - not for new designs</b>

Type	PVRE 24/24-20 Discontinued line - not for new designs
<b>Mechanical data</b>	
<b>Terminal and mounting</b>	
Terminals input, (spring clamp terminal, pluggable)	max. 10 mm <sup>2</sup>
Terminals output, (spring clamp terminal, pluggable)	max. 10 mm <sup>2</sup>
Terminals signalling relay, reset (spring clamp terminal, pluggable)	max. 2.5 mm <sup>2</sup>
Mounting position	vertical
Fixing method	DIN Rail system TH 35
<b>Measures and weights</b>	
Weight	1.00 kg



Subject to change.