

Electronic circuit breaker with current limiting **DISCONTINUED MODEL**
PVFB 24/24-32 Discontinued line - not for new designs

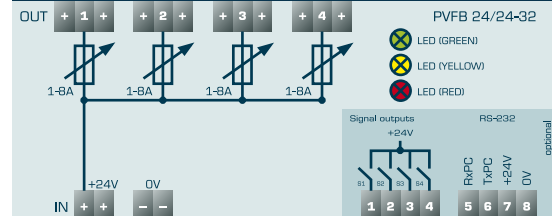


Picture shows PVFB 24/24-32

Applications

Electronic circuit breaker for machines and installations for which a maximum of operational safety is our top priority. Electronic fuse for machines and installations for which a maximum of operational safety is our top priority. The module can switch-off without regard to the impedances defective 24 Vdc power trails selectively. A variety of parameter settings and display functions, including output current and output voltage monitoring are integrated.

Sample application



Standards

Electronic circuit breaker
to UL 60950, UL 508

Safety:
EN 60950, EN 60950 (SELV), EN 60204 (PELV)

EMC:
EN 61000-6-3 (Interference emissions), EN 61000-6-2 (Interference immunity)

Approvals



UL/CSA 60950 recognised, UL 508 listed, EAC

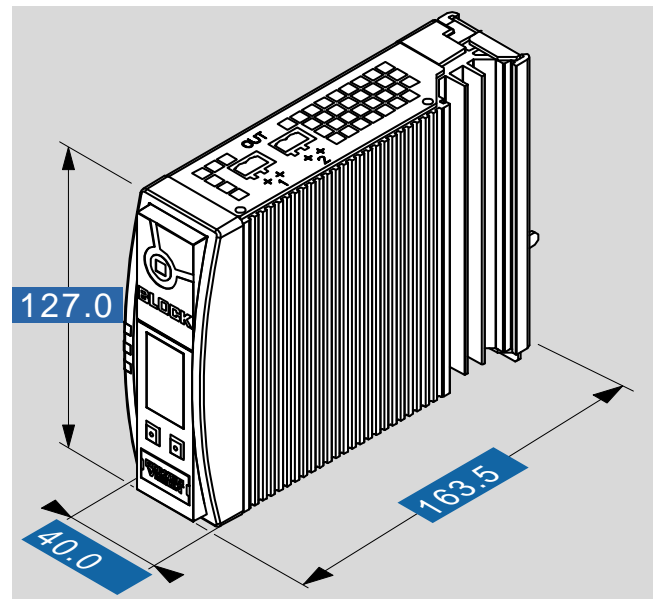


Electronic circuit breaker with current limiting **DISCONTINUED MODEL**

PVFB 24/24-32 Discontinued line - not for new designs

Type	PVFB 24/24-32 Discontinued line - not for new designs
Electrical data	
Input	
Input rated voltage	24 Vdc
Input voltage range	18 - 30 Vdc
Input fuse internal	4 x 15 A (slow-blow)
Voltage drop per channel at rated load	200 mVdc
Output	
Output rated voltage	24 Vdc
Resistance to reverse feed max.	33 Vdc
Number of current channels	4
Output rated current	4 x 1 - 8 A (adjustable in 1 A steps)
Overload behaviour	Shutdown with active current limiting
Parallel connection	No
Turn on capacity	typ. 20.000 µF
Serial operation	No
max. Power loss idling/nominal load	2 / 8.2 W
Efficiency	typ. 96 %
Signaling	
Power Good (DC OK)	LED green, LED red, LED yellow
Potential-free signal contact	No
Display, interface	Yes, RS 232
Reset input	No
Approvals	
Approvals	cURus, cULus
Environment	
Ambient temperature	-10° C to + 60° C
Storage temperature	-25° C to +85° C
Safety and protection	
Protection index	IP 20
Safety class	III, without PE connection
Accessory	
Connector for signalling	PV-CON (optional)
Adapter cable for interface	PV-KOK2 (optional)
Side DIN rail mounting	PV-TS35M (optional)
Direct screw fastening plate for lateral mounting	PV-WB2 (optional)
Catalogue logic	
	Not for new designs Alternative type PM-0824-240-0
Order numbers	
Order Number	PVFB 24/24-32 Discontinued line - not for new designs

Type	PVFB 24/24-32 Discontinued line - not for new designs
Mechanical data	
Terminal and mounting	
Terminals input, (spring clamp terminal, pluggable)	max. 10 mm ²
Terminals output, (spring clamp terminal, pluggable)	max. 2.5 mm ²
Terminals signalling, (spring clamp terminal, pluggable)	max. 0.5 mm ²
Mounting position	vertical
Fixing method	DIN Rail system TH 35
Measures and weights	
Weight	0.80 kg



Subject to change.