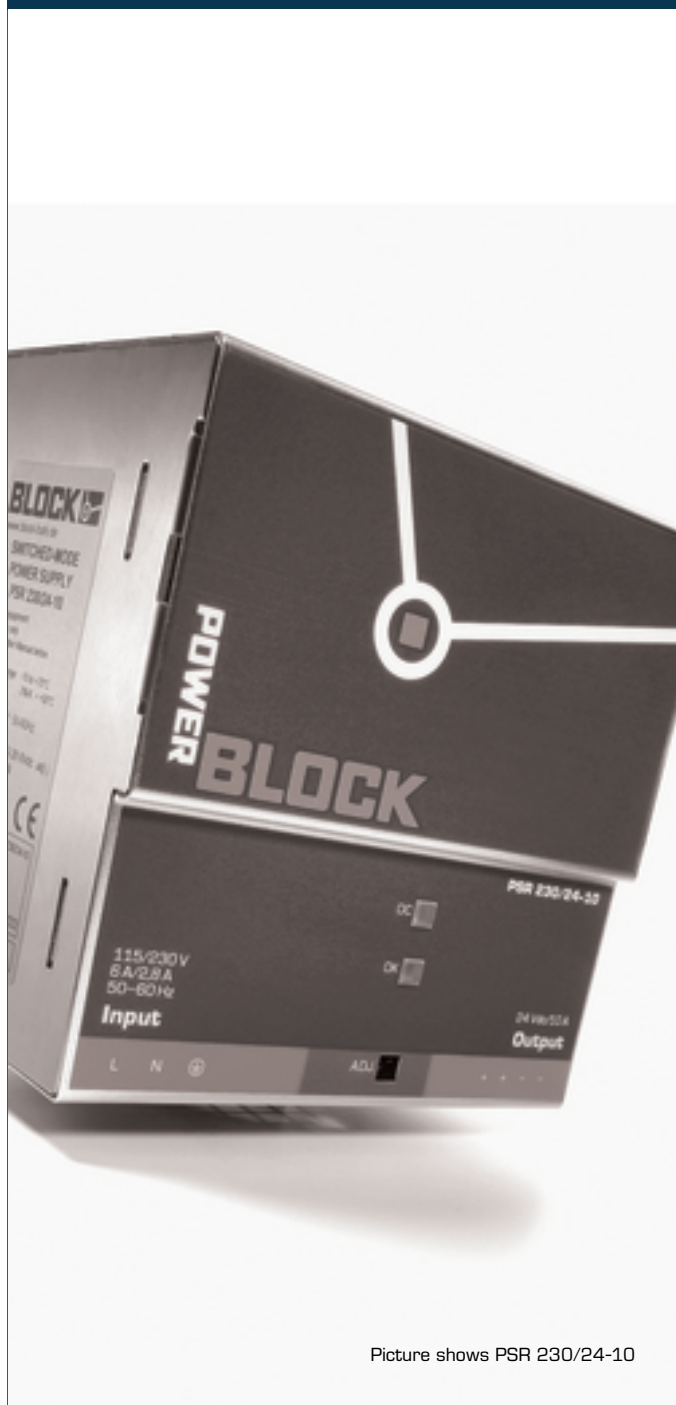


Single phase, primary switched mode power supply **DISCONTINUED MODEL**
PSR 230/12-8 - no longer available



Picture shows PSR 230/24-10

Applications

Primary switch mode power supply is concentrated on the core task of voltage and current supply.

Standards

Primary switched mode power supply
to UL 60950, UL 508, Germanischer Lloyd

Safety:
EN 61558-2-17, EN 60950 (SELV)

EMC:
EN 61204-3

Approvals



UL/CSA 60950 recognised, UL508 listed, GL, EAC



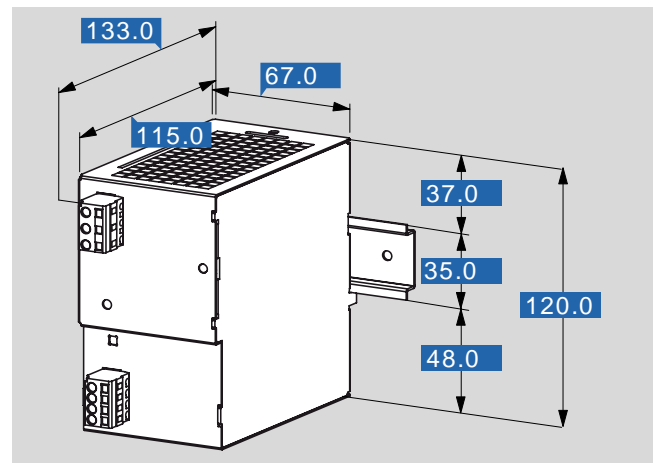
Single phase, primary switched mode power supply

DISCONTINUED MODEL

PSR 230/12-8 - no longer available

Type		PSR 230/12-8 - no longer available
Electrical data	Input	
	Input rated voltage	100 - 240 Vac
	Input voltage range	97 - 264 Vac
	Input rated current (rated load)	1.2 A (230 Vac)
	Low-inrush current	typ. <50 Ap
	Rated frequency range	50 - 60 Hz
	Input fuse internal	4 A (slow-blow)
	Recommended back-up fuse (circuit breaker)	C10 or B16
	Mains buffering (rated load)	>20 ms
	Output	
	Output rated voltage	12 Vdc
	Output voltage range	11 - 15 Vdc, adjustable
	Output rated current	8.00 A
	Resistance to reverse feed max.	20 Vdc
	Parallel connection	Yes
	Serial operation	Yes
	Overload behaviour	Constant current
	Efficiency	87.0 %
	Signaling	
	Power Good (DC OK)	LED green
	Approvals	
	Approvals	GL
	Environment	
	Ambient temperature	-10 °C to +70 °C
	Storage temperature	-25 °C to +85 °C
Derating	-3 %/K > +50° C	
Safety and protection		
Protection index	IP 20	
Safety class	I	
Accessory		
Wall mounting	WH (optional)	
Catalogue logic		
	Not for new designs Alternative type PM-0112-070-0, PC-0112-150-0	
Order numbers		
Order Number	PSR 230/12-8 - no longer available	

Type		PSR 230/12-8 - no longer available
Mechanical data	Terminal and mounting	
	Terminals input, (spring clamp terminal, pluggable)	max. 2.5 mm ²
	Terminals output, (spring clamp terminal, pluggable)	max. 2.5 mm ²
	Mounting position	vertical
	Fixing method	DIN Rail system TH 35, optional wall mounting with bracket holder WH 70
	Measures and weights	
	Weight	0.90 kg



Subject to change.