

Autotransformer JET 250



Picture shows JET 1000

Advantages

Integrated short-circuit and overload protection

Very high efficiency

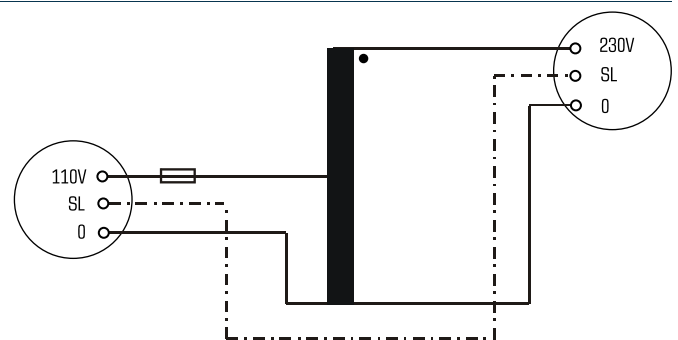
Very good moisture protection and low noise thanks to XtraDenseFill resin encapsulation

Carrying handle, mains connecting lead NEMA5-15 (USA) and socket for portable application

Applications

Autotransformer for portable application for the adjustment of the voltage in 110 Vac networks to 230 Vac equipment when no electrical isolation is required.

Sample application



Standards

Autotransformer
to: VDE 0570 Part 2-13, DIN EN 61558-2-13, EN 61558-2-13,
IEC 61558-2-13

Approvals

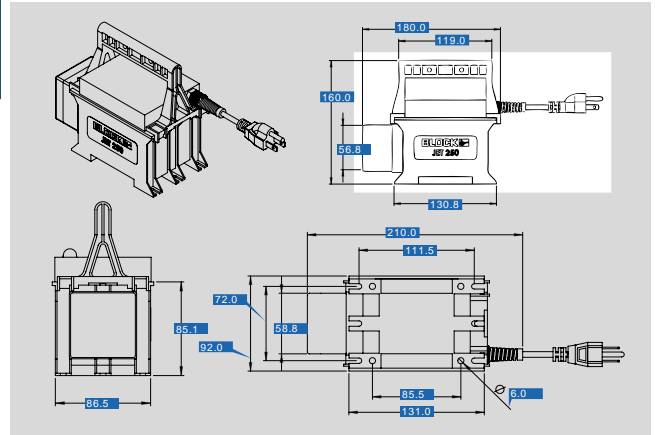




Autotransformer JET 250

Type		JET 250
Electrical data	Input	
	Rated input voltage	110 Vac
	Rated frequency	50 - 60 Hz
	Output	
	Rated output voltage	230 Vac
	Rated Power	250 VA
	No-load voltage (app. x factor)	1.04
	Efficiency	94.0 %
	Environment	
	Ambient temperature max.	40 °C
	Safety and protection	
	Type	Resin encapsulated transformer
	Insulation class	A
Protection index	IP 22	
Safety class	I	
Short circuit strength	non-inherently short-circuit proof	
Order numbers		
Order Number	JET 250	

Type		JET 250
Mechanical data	Terminal and mounting	
	Terminals Input	Connecting cable with NEMAS-15 plug (USA)
	Terminals Output	Protective contact socket
	Measures and weights	
	Weight	3.1 kg



Subject to change.