

# Mains transformer FLN 11/21\* - no longer available



Picture shows FLN 30/12

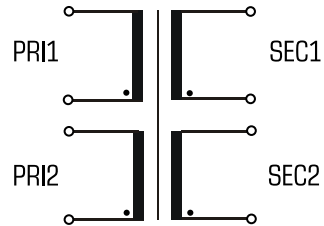
## Applications

As a mains transformer for adjustment of the voltage and simple electrical isolation.

As an isolating transformer for the safe electrical isolation of the input and output sides. The transformer may be used to set up protective separation as a protective measure.

As a safety isolating transformer for the safe electrical isolation of the input and output sides. The transformer is suitable for creating SELV and PELV circuits because of the limit on the output voltage.

## Sample application



## Standards

Mains transformer  
to: VDE 0570 Teil 2-1, DIN EN 61558-2-1, EN 61558-2-1, IEC 61558-2-1, UL 5085-1/-2, CSA 22.2 No.66

## Approvals



ENEC 10 (VDE), UL 5085-1/-2, CSA 22.2 No.66

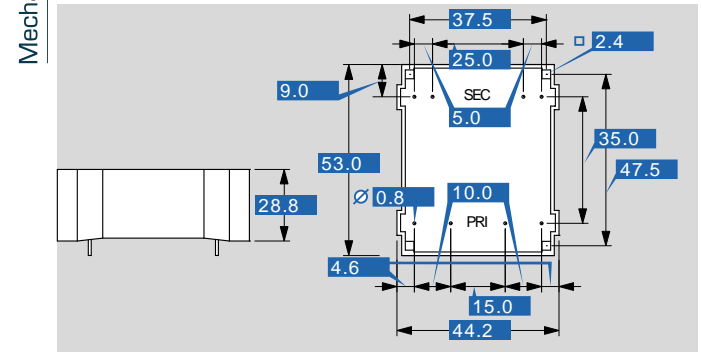


# Mains transformer

## FLN 11/21\* - no longer available

Type		FLN 11/21* - no longer available
Electrical data	<b>Input</b>	
	Rated input voltage	2 x 115 Vac
	Rated frequency	50 - 60 Hz
	<b>Output</b>	
	Rated output voltage	2 x 21 Vac
	Rated Power	11.0 VA
	No-load voltage (app. x factor)	1.37
	No-load loss (typ.)	1.00 W
	Efficiency	66.0 %
	<b>Standards</b>	
	Classification	Mains transformer
	<b>Approvals</b>	
	Approvals	cURus, ENEC 10 (VDE)
	<b>Environment</b>	
	Ambient temperature max.	70 °C
<b>Safety and protection</b>		
Type	Encapsulated	
Insulation class	B	
Protection index	IP 00	
Safety class (prepared)	II	
Short circuit strength	non-short-circuit proof	
<b>Catalogue logic</b>		
<b>Order numbers</b>		
<b>Order Number</b>	<b>FLN 11/21* - no longer available</b>	

Type		FLN 11/21* - no longer available
<b>Terminal and mounting</b>		
Terminals		Pins for PCB
<b>Measures and weights</b>		
Core type		UI 30/16
Weight		0.26 kg



Subject to change.