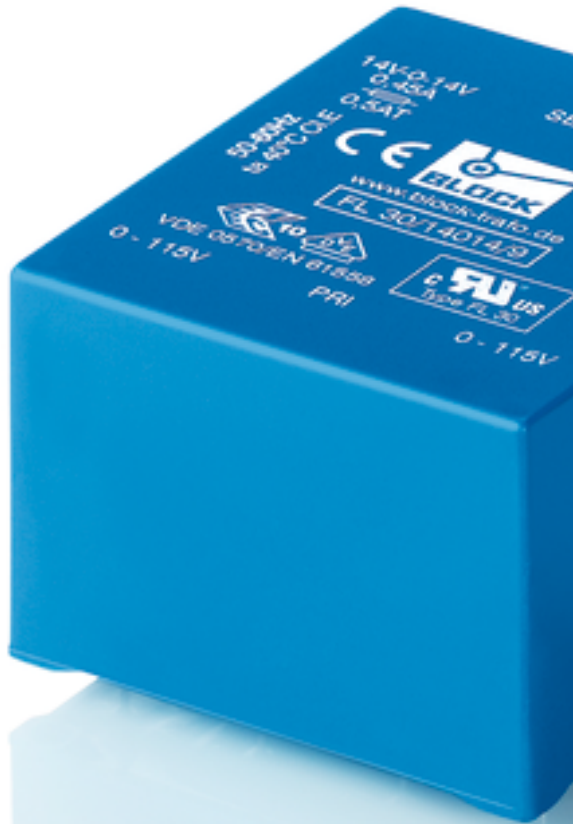


Safety isolating transformer
FL 6/14014/9 Discontinued line - not for new designs



Picture shows FL 30/14014/9

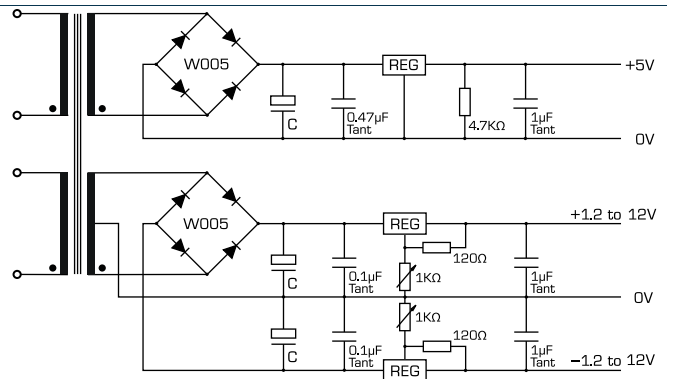
Advantages

Minimum size at high output
Low height
Double input voltage for series or parallel connection
Permanent corrosion protection, high insulation value and maximum electrical reliability thanks to XtraDenseFill resin encapsulation
Coil shell in 2-chamber technology
Self-extinguishing potting material

Applications

Safety isolating transformer specially trimmed for building a DC supply.

Sample application



Standards

Safety isolating transformer
 to: VDE 0570 Part 2-6, DIN EN 61558-2-6, EN 61558-2-6, IEC 61558-2-6,
 UL 5085-1/-2, CSA 22.2 No.66

Approvals



ENEC 10 (VDE), UL 5085-1/-2, CSA 22.2 No.66

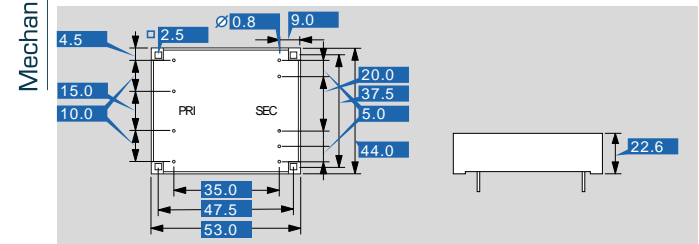


Safety isolating transformer

FL 6/14014/9 Discontinued line - not for new designs

Type	FL 6/14014/9 Discontinued line - not for new designs	
Electrical data	Input	
	Rated input voltage	2 x 115 Vac
	Rated frequency	50 - 60 Hz
	Output	
	Efficiency	68.0 %
	No-load loss (typ.)	1.20 W
	No-load voltage (app. x factor)	1.33
	Rated output current I	0.14 A
	Rated output current II	0.11 A
	Rated Output voltage I	9 Vac
	Rated Output voltage II	14.0-0-14.0 Vac
	Rated Power	4.34 VA
	Regulator Reference SEC I	7805
	Regulator Reference SEC II	317L,337LZ
	Smoothing Cap. C SEC I	470 µF
	Smoothing Cap. C SEC II	2 x 220 µF
	Standards	
	Classification	Safety isolating transformer
	Approvals	
Approvals	cURus, ENEC 10 (VDE)	
Environment		
Ambient temperature max.	40 °C	
Safety and protection		
Type	Encapsulated	
Insulation class	VDE=E, UL=class 105	
Protection index	IP 00	
Safety class (prepared)	II	
Short circuit strength	non-short-circuit proof	
Order numbers		
Order Number	FL 6/14014/9 Discontinued line - not for new designs	

Type	FL 6/14014/9 Discontinued line - not for new designs
Terminal and mounting	
Terminals	Pins for PCB
Measures and weights	
Weight	0.18 kg



Subject to change.