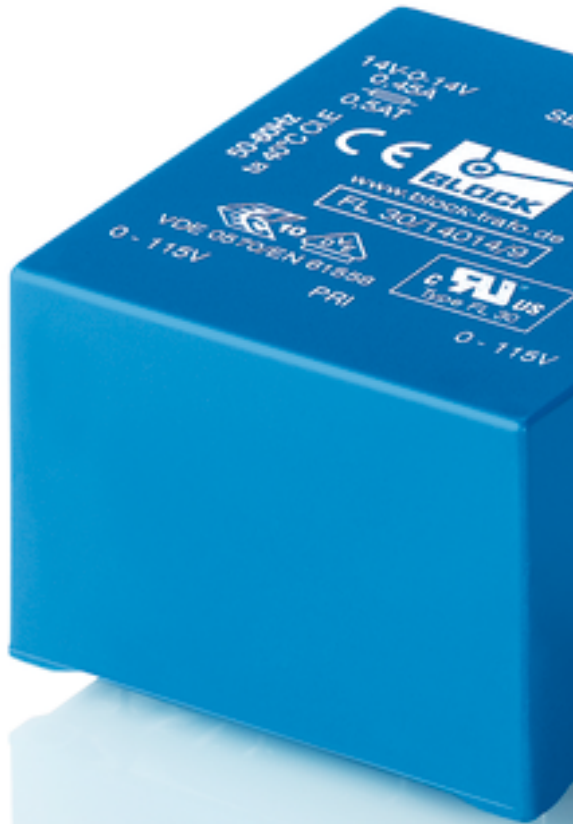


Safety isolating transformer  
**FL 42/14014/9 Discontinued line - not for new designs**



Picture shows FL 30/14014/9

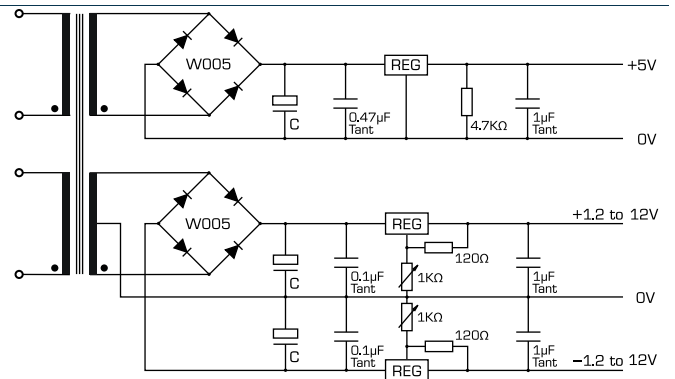
### Advantages

|  |
|--|
| Minimum size at high output  |
| Low height   |
| Double input voltage for series or parallel connection   |
| Permanent corrosion protection, high insulation value and maximum electrical reliability thanks to XtraDenseFill resin encapsulation |
| Coil shell in 2-chamber technology   |
| Self-extinguishing potting material  |

### Applications

Safety isolating transformer specially trimmed for building a DC supply.

### Sample application



### Standards

Safety isolating transformer  
 to: VDE 0570 Part 2-6, DIN EN 61558-2-6, EN 61558-2-6, IEC 61558-2-6,  
 UL 5085-1/-2, CSA 22.2 No.66

### Approvals



ENEC 10 (VDE), UL 5085-1/-2, CSA 22.2 No.66

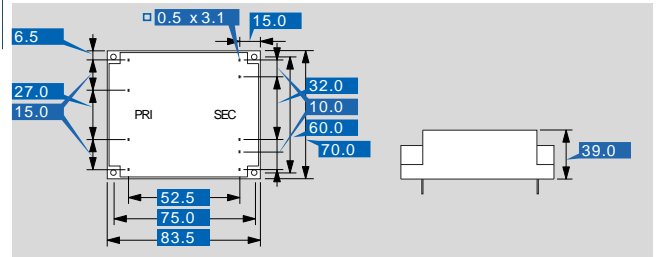


# Safety isolating transformer

## FL 42/14014/9 Discontinued line - not for new designs

| Type                         | FL 42/14014/9<br>Discontinued line - not for new designs     |                 |
|------------------------------|--|-----------------|
| <b>Electrical data</b>       | <b>Input</b>   |                 |
|                              | Rated input voltage  | 2 x 115 Vac     |
|                              | Rated frequency  | 50 - 60 Hz      |
|                              | <b>Output</b>  |                 |
|                              | Efficiency   | 78.0 %          |
|                              | No-load loss (typ.)  | 3.80 W          |
|                              | No-load voltage (app. x factor)                              | 1.24            |
|                              | Rated output current I                                       | 1.50 A          |
|                              | Rated output current II                                      | 0.85 A          |
|                              | Rated Output voltage I                                       | 9 Vac           |
|                              | Rated Output voltage II                                      | 14.0-0-14.0 Vac |
|                              | Rated Power  | 37.30 VA        |
|                              | Regulator Reference SEC I                                    | 7805            |
|                              | Regulator Reference SEC II                                   | 317L,337LZ      |
|                              | Smoothing Cap. C SEC I                                       | 4700 µF         |
|                              | Smoothing Cap. C SEC II                                      | 2 x 1000 µF     |
|                              | <b>Standards</b>   |                 |
| Classification               | Safety isolating transformer                                 |                 |
| <b>Approvals</b>             |  |                 |
| Approvals                    | cURus, ENEC 10 (VDE)   |                 |
| <b>Environment</b>           |  |                 |
| Ambient temperature max.     | 40 °C  |                 |
| <b>Safety and protection</b> |  |                 |
| Type                         | Encapsulated   |                 |
| Insulation class             | VDE=E, UL=class 105  |                 |
| Protection index             | IP 00  |                 |
| Safety class (prepared)      | II   |                 |
| Short circuit strength       | non-short-circuit proof                                      |                 |
| <b>Order numbers</b>         |  |                 |
| <b>Order Number</b>          | <b>FL 42/14014/9 Discontinued line - not for new designs</b> |                 |

| Type                   | FL 42/14014/9<br>Discontinued line - not for new designs |
|------------------------|--|
| <b>Mechanical data</b> |  |
| Terminal and mounting  |  |
| Terminals              | Pins for PCB   |
| Measures and weights   |  |
| Weight                 | 0.72 kg  |



Subject to change.