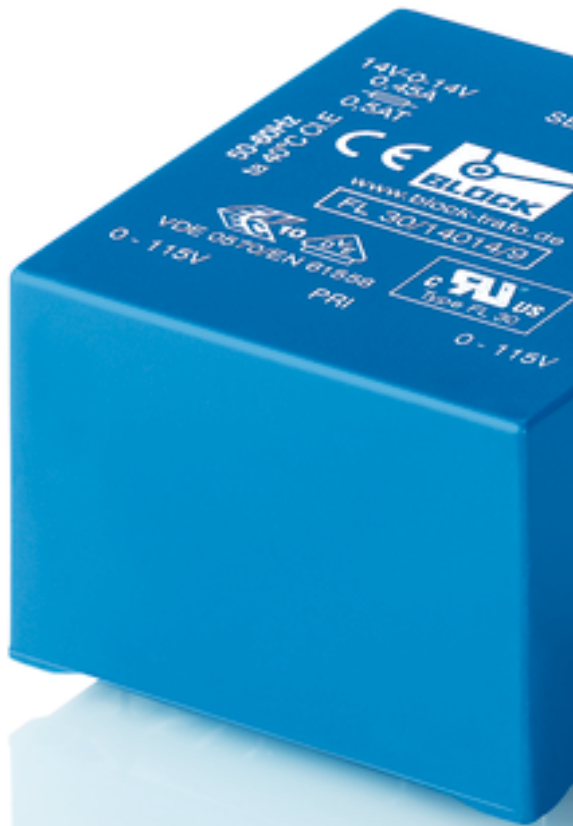


Safety isolating transformer FL 30/14014/9 Discontinued line - not for new designs



Picture shows FL 30/14014/9

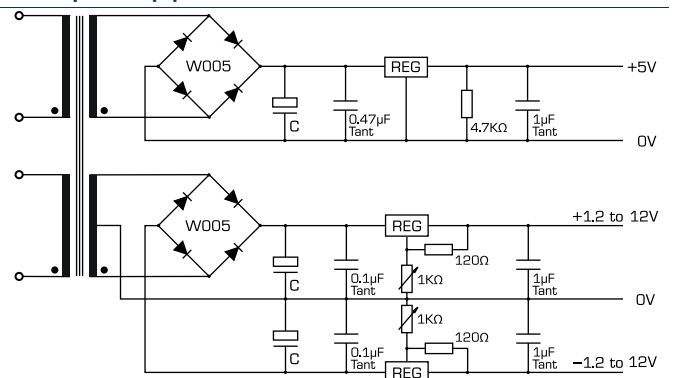
Advantages

- Minimum size at high output
- Low height
- Double input voltage for series or parallel connection
- Permanent corrosion protection, high insulation value and maximum electrical reliability thanks to XtraDenseFill resin encapsulation
- Coil shell in 2-chamber technology
- Self-extinguishing potting material

Applications

Safety isolating transformer specially trimmed for building a DC supply.

Sample application



Standards

Safety isolating transformer
to: VDE 0570 Part 2-6, DIN EN 61558-2-6, EN 61558-2-6, IEC 61558-2-6,
UL 5085-1/-2, CSA 22.2 No.66

Approvals



ENEC 10 (VDE), UL 5085-1/-2, CSA 22.2 No.66



Safety isolating transformer

FL 30/14014/9 Discontinued line - not for new designs

Type	FL 30/14014/9 Discontinued line - not for new designs
Electrical data	
Input	
Rated input voltage	2 x 115 Vac
Rated frequency	50 - 60 Hz
Output	
Efficiency	77.0 %
No-load loss (typ.)	2.20 W
No-load voltage (app. x factor)	1.25
Rated output current I	1.50 A
Rated output current II	0.45 A
Rated Output voltage I	9 Vac
Rated Output voltage II	14.0-0-14.0 Vac
Rated Power	26.10 VA
Regulator Reference SEC I	7805
Regulator Reference SEC II	317L,337LZ
Smoothing Cap. C SEC I	4700 µF
Smoothing Cap. C SEC II	2 x 1000 µF
Standards	
Classification	Safety isolating transformer
Approvals	
Approvals	cURus, ENEC 10 (VDE)
Environment	
Ambient temperature max.	40 °C
Safety and protection	
Type	Encapsulated
Insulation class	VDE=E, UL=class 105
Protection index	IP 00
Safety class (prepared)	II
Short circuit strength	non-short-circuit proof
Order numbers	
Order Number	FL 30/14014/9 Discontinued line - not for new designs

Type	FL 30/14014/9 Discontinued line - not for new designs
Mechanical data	
Terminal and mounting	
Terminals	Pins for PCB
Measures and weights	
Weight	0.53 kg

Subject to change.