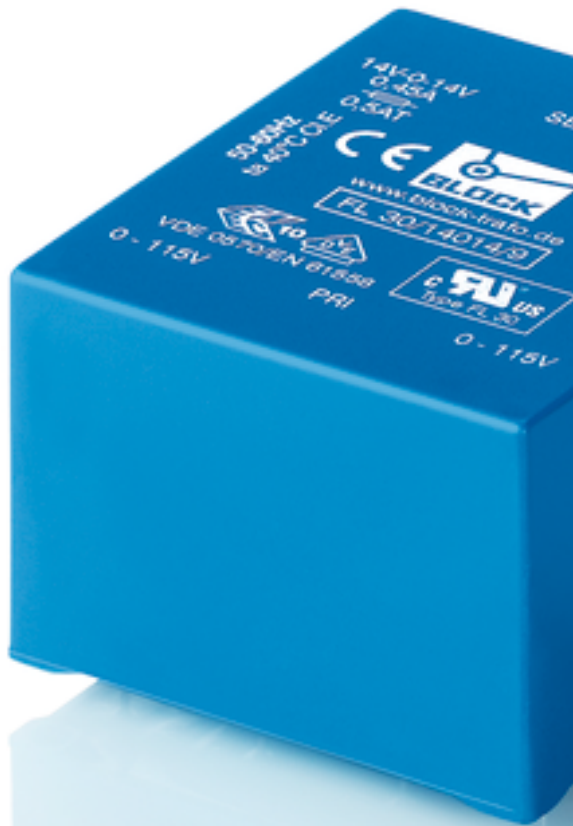


# Safety isolating transformer FL 24/14014/9 Discontinued line - not for new designs



Picture shows FL 30/14014/9

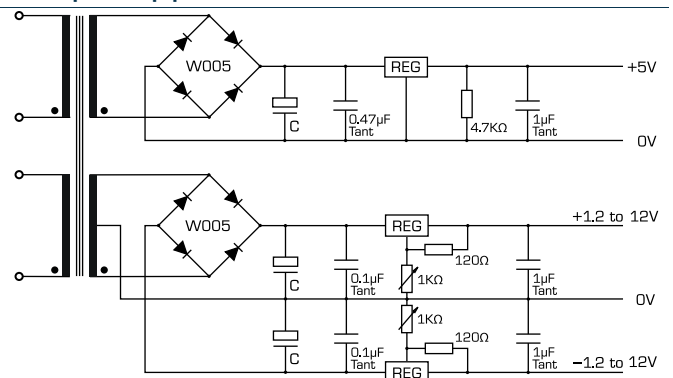
## Advantages

Minimum size at high output
Low height
Double input voltage for series or parallel connection
Permanent corrosion protection, high insulation value and maximum electrical reliability thanks to XtraDenseFill resin encapsulation
Coil shell in 2-chamber technology
Self-extinguishing potting material

## Applications

Safety isolating transformer specially trimmed for building a DC supply.

## Sample application



## Standards

Safety isolating transformer  
to: VDE 0570 Part 2-6, DIN EN 61558-2-6, EN 61558-2-6, IEC 61558-2-6,  
UL 5085-1/-2, CSA 22.2 No.66

## Approvals



ENEC 10 (VDE), UL 5085-1/-2, CSA 22.2 No.66



# Safety isolating transformer

## FL 24/14014/9 Discontinued line - not for new designs

Type	FL 24/14014/9 Discontinued line - not for new designs
<b>Electrical data</b>	
<b>Input</b>	
Rated input voltage	2 x 115 Vac
Rated frequency	50 - 60 Hz
<b>Output</b>	
Efficiency	76.0 %
No-load loss (typ.)	1.80 W
No-load voltage (app. x factor)	1.22
Rated output current I	1.10 A
Rated output current II	0.30 A
Rated Output voltage I	9 Vac
Rated Output voltage II	14.0-0-14.0 Vac
Rated Power	18.30 VA
Regulator Reference SEC I	7805
Regulator Reference SEC II	317L,337LZ
Smoothing Cap. C SEC I	4700 µF
Smoothing Cap. C SEC II	2 x 1000 µF
<b>Standards</b>	
Classification	Safety isolating transformer
<b>Approvals</b>	
Approvals	cURus, ENEC 10 (VDE)
<b>Environment</b>	
Ambient temperature max.	40 °C
<b>Safety and protection</b>	
Type	Encapsulated
Insulation class	VDE=E, UL=class 105
Protection index	IP 00
Safety class (prepared)	II
Short circuit strength	non-short-circuit proof
<b>Order numbers</b>	
<b>Order Number</b>	<b>FL 24/14014/9 Discontinued line - not for new designs</b>

Type	FL 24/14014/9 Discontinued line - not for new designs
<b>Mechanical data</b>	
Terminal and mounting	
Terminals	Pins for PCB
Measures and weights	
Weight	0.45 kg

Subject to change.