

Safety isolating transformer

ETKEC 100/24 Discontinued line - not for new designs



Picture shows ETKEC 100/24, ETKEC 200/42

Advantages

Integrated short circuit and overload protection

Very good moisture protection and low noise thanks to resin encapsulation

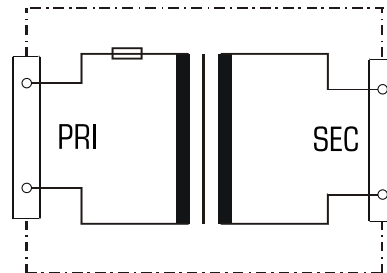
High degree of protection

Carrying handle, mains connecting lead and CEE socket for mobile use

Applications

Safety isolating transformer for the safe electrical isolation of the input and output sides. The transformer is suitable for creating SELV and PELV circuits because of the limit on the output voltage.

Sample application



Standards

Safety isolating transformer
to: VDE 0570 Part 2-6, DIN EN 61558-2-6, EN 61558-2-6, IEC 61558-2-6

Approvals



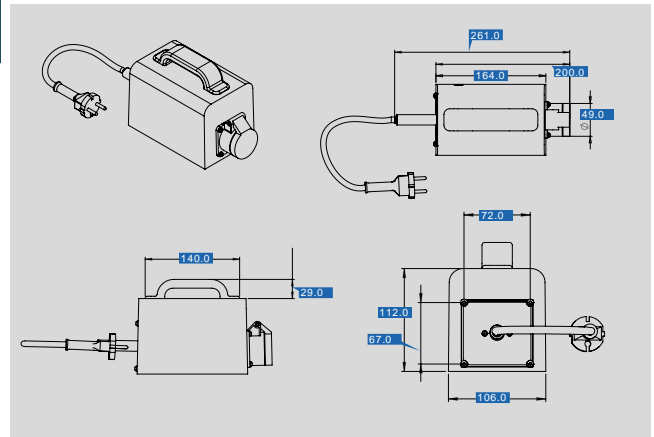


Safety isolating transformer

ETKEC 100/24 Discontinued line - not for new designs

| Type | ETKEC 100/24 Discontinued line - not for new designs |
|------------------------------|---|
| Electrical data | Input |
| | Rated input voltage 230 Vac Rated frequency 50 - 60 Hz |
| Output | Rated output voltage 24 Vac Rated Power 100 VA |
| Environment | Ambient temperature max. 40 °C |
| Safety and protection | Type Resin encapsulated transformer Insulation class E Protection index IP 44 Safety class II Short circuit strength non-inherently short-circuit proof Test voltage 3750 Vac, 50 Hz |
| Order numbers | |
| Order Number | ETKEC 100/24 Discontinued line - not for new designs |

| Type | ETKEC 100/24 Discontinued line - not for new designs |
|------------------------------|--|
| Mechanical data | |
| Terminal and mounting | Terminals Input Mains connecting cable with safety plug Terminals Output CEE-socket |
| Measures and weights | Weight 3.50 kg |



Subject to change.