

Autotransformer

DSP 400/15 Discontinued line - not for new designs



Picture shows DSP 400/6

Advantages

Low weight and small size (compared to isolating transformers)

Very high efficiency

Very good moisture protection and low noise thanks to vacuum impregnation

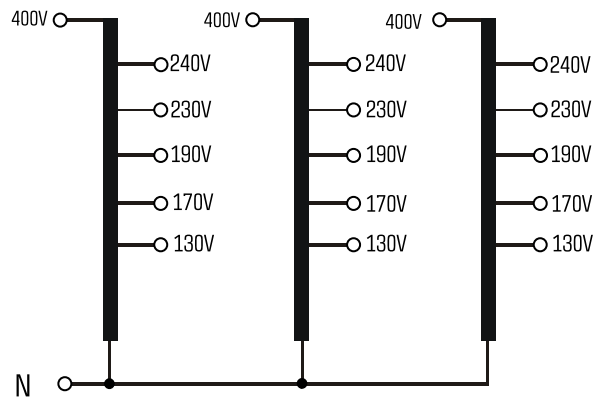
Contact protected screw connection terminals complying with UVV BGV A3

Simple mounting thanks to robust metal fixing rail with oval slots

Applications

Autotransformer for example for setting the speed of single-phase fan motors.

Sample application



Standards

Autotransformer
to: VDE 0570 Teil 2-13, DIN EN 61558-2-13, EN 61558-2-13,
IEC 61558-2-13

Approvals



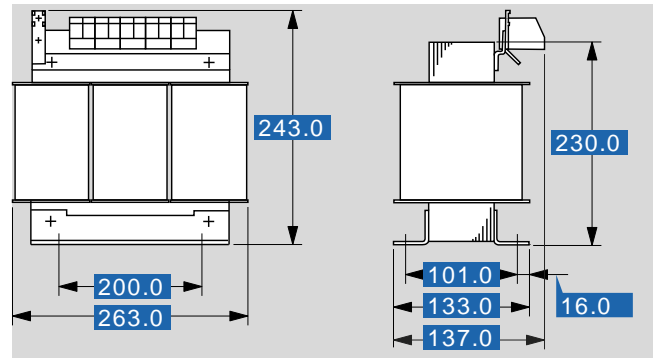


Autotransformer

DSP 400/15 Discontinued line - not for new designs

Type		DSP 400/15 Discontinued line - not for new designs
Electrical data	Input	
	Rated input voltage	3 x 400 Vac
	Rated frequency	50 - 60 Hz
	Output	
	Rated output voltage	3 x 240 Vac/3 x 230 Vac/3 x 190 Vac/3 x 170 Vac/3 x 130 Vac
	Rated output current	3 x 15 A
	Vector group	YNa0
	Environment	
	Ambient temperature max.	40 °C
	Safety and protection	
	Insulation class	E
	Protection index	IP 00
	Safety class (prepared)	I
	Short circuit strength	non-short-circuit proof
Order numbers		
Order Number	DSP 400/15 Discontinued line - not for new designs	

Type		DSP 400/15 Discontinued line - not for new designs
Mechanical data	Safety and protection	
	Type	Open type
	Terminal and mounting	
	Terminals	Screw-type terminals
	Fixing method	Fixing rail
	Fixing screws	M8
	Measures and weights	
	Width	295.0 mm
	Weight	30.00 kg



Subject to change.