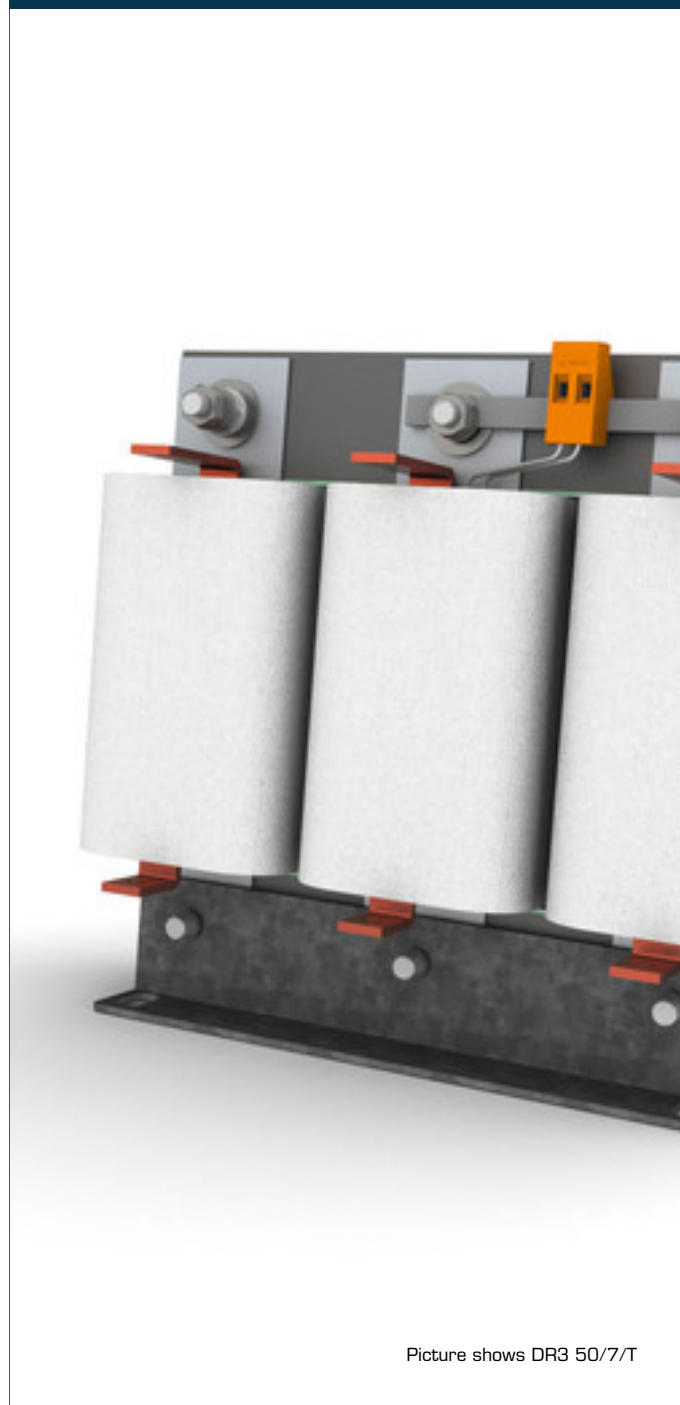


## Detuned reactor **DR3 12,5/14**



Picture shows DR3 50/7/T

### Advantages

No overloading of the capacitors
Stabilizing mains impedance
Low inductance tolerance
Very good corrosion protection and low noise thanks to vacuum impregnation
Extended linearity
Thermal design for continuous duty in the event of mains operation and harmonics
Optional with thermal switch

### Applications

Detuned reactor for choking idle reactive power compensation capacitors.

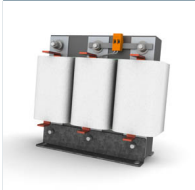
### Standards

Detuning reactor in accordance with EN 61558 Part 1, 61558 Part 20, UL 506, CSA 22.2

### Approvals



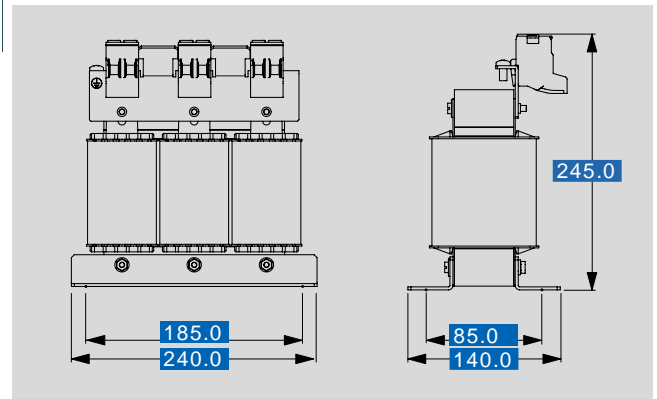
UL 506, CSA 22.2



# Detuned reactor DR3 12,5/14

Type		DR3 12,5/14
Electrical data	Operating data	
	Rated voltage	3 x 400 Vac
	Rated frequency	50 Hz
	Current per phase at 50 Hz (I) for reactive power	19.5 A
	Inductance linear to (at #95 % L; Im)	12.5 kVA <sub>r</sub>
	Inductance per phase (L)	27.3 A
	Tolerance	6.750 mH
	Detuning factor	±3 %
	Temperature control	ρ = 14 %
	Resonance frequency	No
	Output	
	Power loss	134 Hz
	Approvals	
	Approvals	150.0 W
	Environment	
	Ambient temperature max.	EAC
	Safety and protection	
	Type	Open type
	Insulation class	F (40 °C) / H (60 °C)
Protection index	IP 00	
Safety class (prepared)	I	
Test voltage	2500 Vac, 50 Hz	
Order numbers		
Order Number	DR3 12,5/14	

Type		DR3 12,5/14
Mechanical data	Terminal and mounting	
	Fixing method	Fixing rail
	Fixing screws	M8
	Terminals phase	Screw clamp, 10 mm <sup>2</sup>
	Terminals PE	Bolt, M5
Measures and weights		
Weight		15.00 kg



Subject to change.