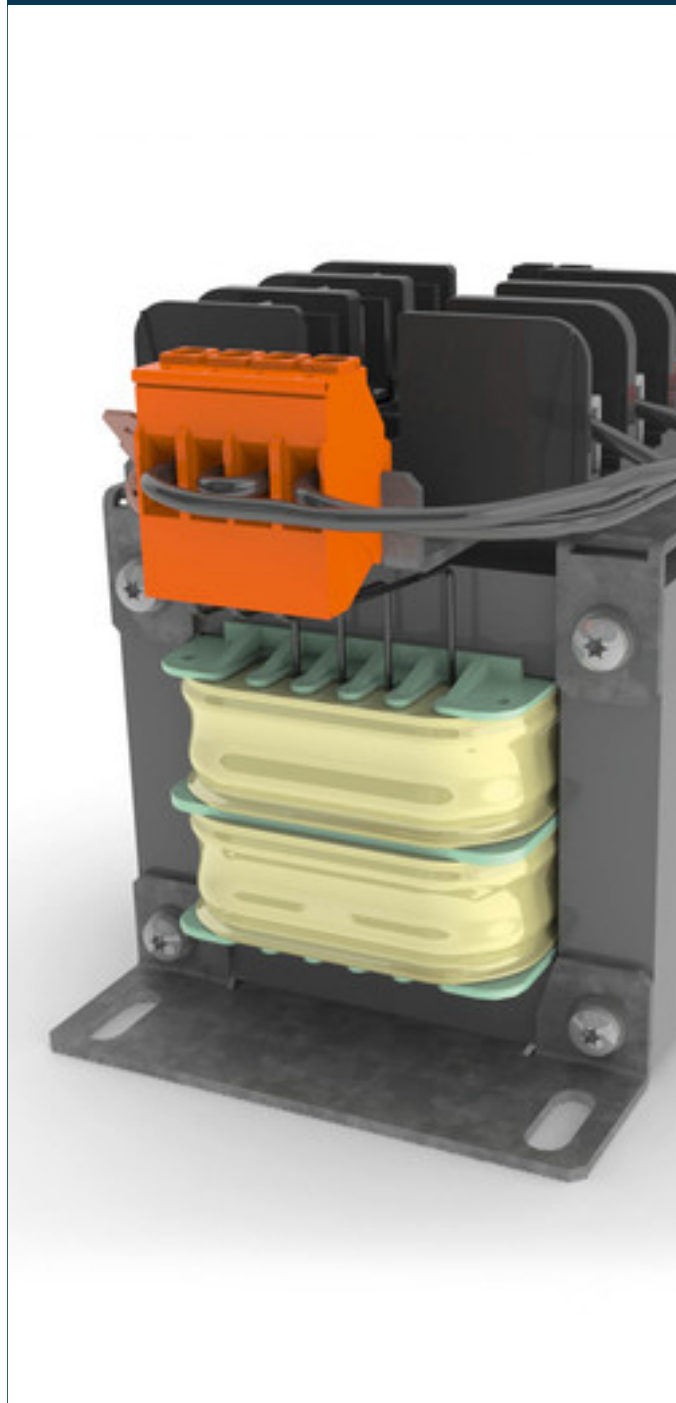


# Separating transformer CT-007-048-24-1



## Advantages

Fused versions available

Versions with DIN rail for additional components available

Contact protected screw connection terminals

Jumpers included for primary voltage selection

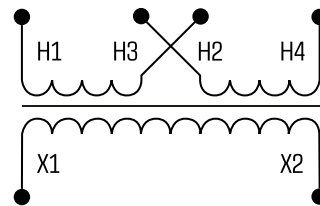
Very good corrosion protection and low noise thanks to BLOCK IMPEX vacuum impregnation

Up to 2,500 VA

## Applications

As a separating transformer for adjustment of the voltage and simple electrical isolation.

## Sample application



## Standards

Separating transformer  
to: EN 61558 part 1 with part 2-1, UL 5085-1/-2;2:2, CSA 22.2 No. 66

## Approvals



UL 5085-1/-2, CSA 22.2 No.66, EAC



## Separating transformer CT-007-048-24-1

| Type                |                         | CT-007-048-24-1         |
|---------------------|-------------------------|-------------------------|
| Electrical data     | Input                   |                         |
|                     | Rated input voltage     | 2 x 240 Vac             |
|                     | Rated input current     | 2 x 0,19 Aac            |
|                     | Output                  |                         |
|                     | Rated output voltage    | 24 Vac                  |
|                     | Rated Power             | 75 VA                   |
|                     | Approvals               |                         |
|                     | Approvals               | cURus, EAC              |
|                     | Environment             |                         |
|                     | Ambient temperature     | max. 40 °C              |
|                     | Type of cooling         | self-cooling            |
|                     | Safety and protection   |                         |
|                     | Type                    | Open type               |
|                     | Insulation class        | B, class 130            |
|                     | Protection index        | IP 00                   |
|                     | Safety class (prepared) | I                       |
|                     | Short circuit strength  | non-short-circuit proof |
| Order numbers       |                         |                         |
| <b>Order Number</b> | <b>CT-007-048-24-1</b>  |                         |

| Type            |                       | CT-007-048-24-1                |
|-----------------|-----------------------|--------------------------------|
| Mechanical data | Terminal and mounting |                                |
|                 | Fixing method         | Base plate                     |
|                 | Terminals Input       | Screw clamp, 4 mm <sup>2</sup> |
|                 | Fixing screws         | M4                             |
|                 | Terminals Output      | Screw clamp, 4 mm <sup>2</sup> |
|                 | Terminals PE          | Tab connector, 6.3 x 0.8 mm    |
|                 | Measures and weights  |                                |
|                 | Weight                | 1.10 kg                        |

